



Bernstein

Bernstein AG
Postfach 1164
D-32437 Porta Westfalica

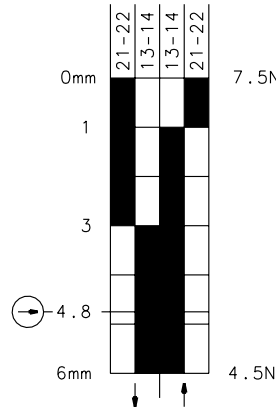
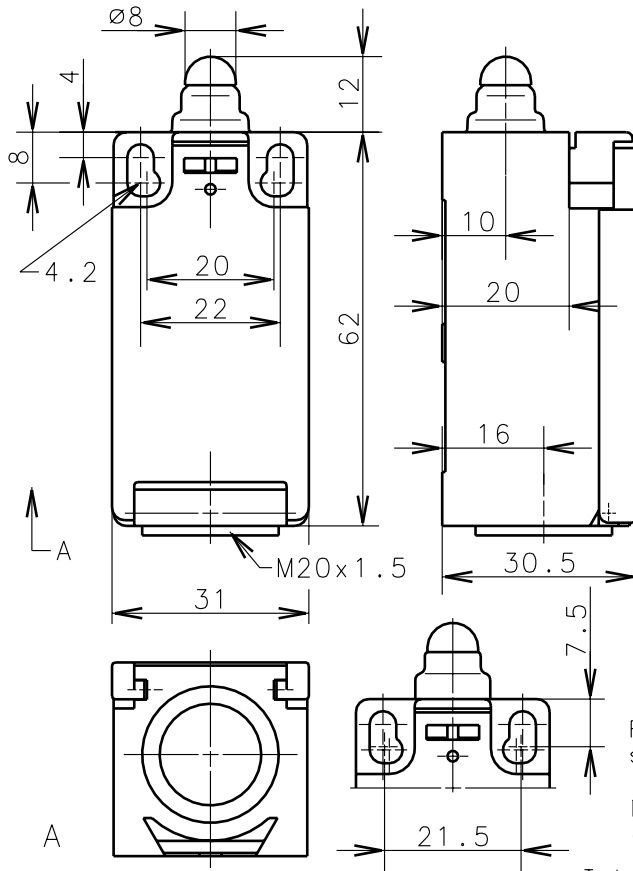
Technical data sheet

188-SU1Z w

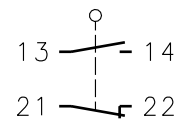
618.6153.601



Positive opening operation according to DIN EN 60947-5-1 IEC 60947-5-1



IUGA-B411



Switching symbol

Fixed positioning for safety applications

Mounting screw accord. to DIN 912 M5

Tolerance: operating point $\pm 0.25\text{mm}$; actuating force $\pm 10\%$

Schutzvermerk nach DIN 34 beachten
Copyright reserved

Mechanical features

Enclosure:	Thermoplast, glass fibre reinforced (UL 94-V0)
Cover:	Thermoplast, glass fibre reinforced (UL 94-V0)
Actuator:	Push bolt (Thermoplast)
Ambient air temperature:	-30°C up to +80°C
Contact type:	1 NC-contact, 1 NO-contact (Zb)
Mechanical life:	10×10^6 switch operations
Switch frequency:	max. 100/min
Mounting:	2 x M4
Connection type:	4 screw connections (M3.5)
Conductor cross-section:	single core 0.5-1.5mm ² /litz wire with connector sleeve 0.5-1.5mm ²
Cable entry size:	1 x M20x1.5
Weight:	approx. 0,06kg

Electrical features

Rated insulation voltage:	$U_i = 250 \text{ V AC}$
Conventional thermal current:	$I_{the} = 10 \text{ A}$
Max. inrush current:	according to IEC 60947-5-1, AC 15, A300
Utilization categorie:	AC 15, A300, U_e/I_e 240V/3A
Standards:	according to EN 60947-1; EN 60947-5-1
Protection class (IP-Code):	IP65 according to EN 60529, DIN VDE 0470 T1
CSA:	10A 300V AC, A300 (same polarity)
Short-circuit protection:	Fuse 2A gL/gG, IEC/EN 60947-5-1, appendix K

Approach possibilities

The push bolt actuator is mainly intended to be actuated along its axis. Side actuation will considerably reduce switch life.

Remarks

The moving parts should be oiled periodically.
The rated protection class (IP-Code) is valid only at closed cover and when using an at least equivalent cable gland.

24.09.03