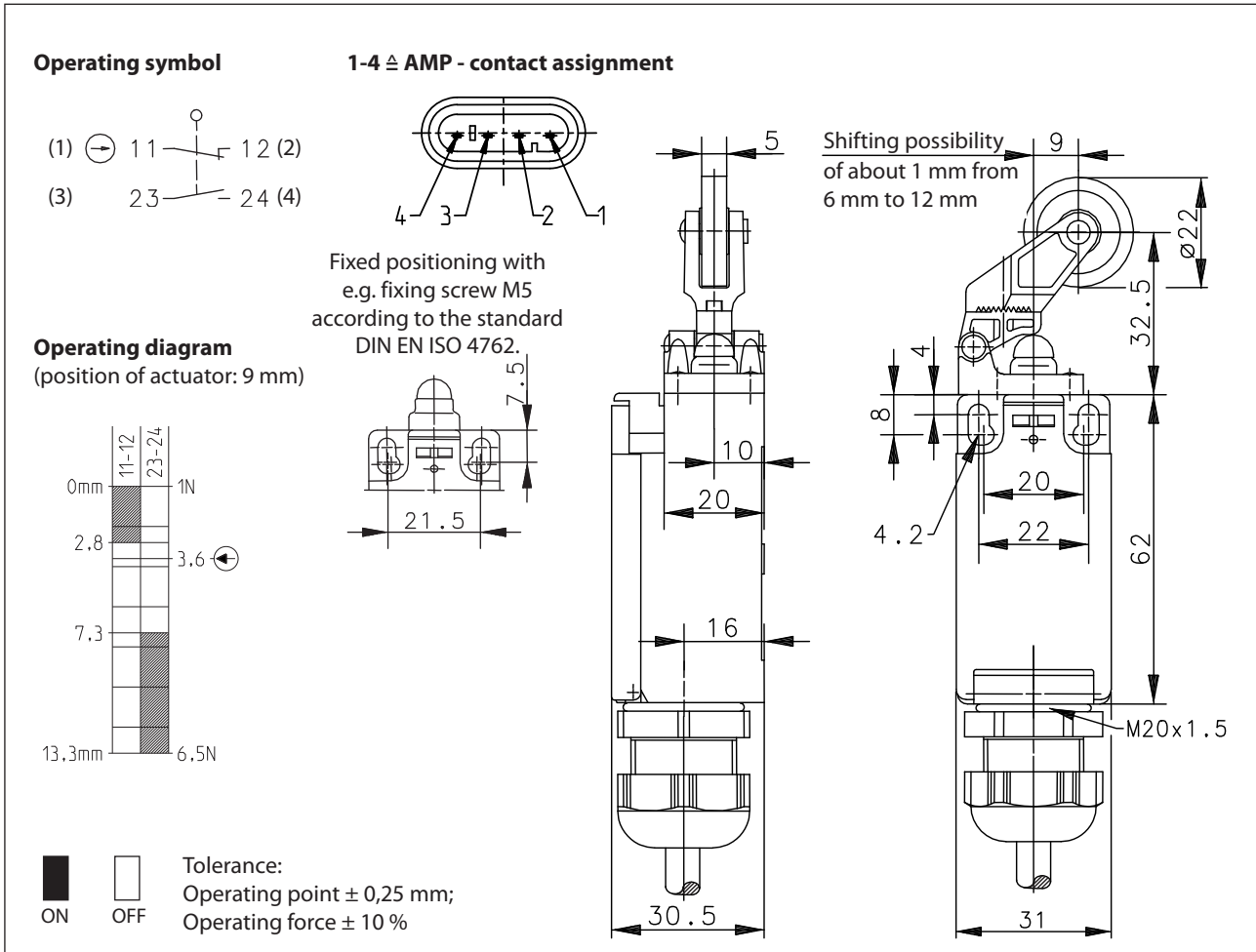


Plastic bodied limit switch Series I88

Description **I88-U1Z DGHW 180GR RO22**

Article number **6186121818**



Electrical Data		
Rated insulation voltage	U_i	250 V AC
Conv. thermal current	I_{the}	10 A
Rated operational voltage	U_e	24 V DC
Utilization category		DC-13, U_e/I_e 24 V / 4 A
Direct opening action	\ominus	acc. to IEC/EN 60947-5-1, annex K
Short-circuit protective device		Fuse 10 A gG
Protection class		II, totally insulated

Mechanical data	
Enclosure	Thermoplastic, glass fibre reinforced (UL 94-V0)
Cover	Thermoplastic, glass fibre reinforced (UL 94-V0)
Actuator	Lever with roller (thermoplastic)
Ambient air temperature	-30 °C ... +80 °C (cable occasionally moved)
Contact type	1 NC, 1 NO (Zb)
Mechanical life	10 x 10 ⁶ operating cycles
Switching frequency	≤ 100 / min.
Assembly	2 x M4
Connection	AMP SUPERSEAL Serie 1.5 plug connector, -pin housing TE-No.: 282106-1 -pin contacts TE-No.: 282109-1 -single conductor gaskets TE-No.: 281934-2 -protective cap TE-No.: 493581-1 Cable 4 x 1,5 mm ² x 300 mm +25 mm /-0 mm (inclusive plug), TPE-Outer jacket, black (Lapp-No. 0021932)
Weight	≈ 0,12 kg
Installation position	operator definable
Protection type	IP65 acc. to IEC/EN 60529

Actuation
<p>The actuating device is preferably started from 2 sides. By loosening the 4 screws the actuation assembly can be rotated in 90 degree increments such that 4 actuation directions are possible. The actuation assembly is to be again fastened to the housing using the 4 screws.</p>

Standards
VDE 0660 T100, DIN EN 60947-1, IEC 60947-1
VDE 0660 T200, DIN EN 60947-5-1, IEC 60947-5-1

Notes
<p>The degree of protection (IP code) specified applies solely to a property closed cover and the use of an equivalent plug.</p> <p>Switch label with customer identification. Amazone description: NG087</p>