



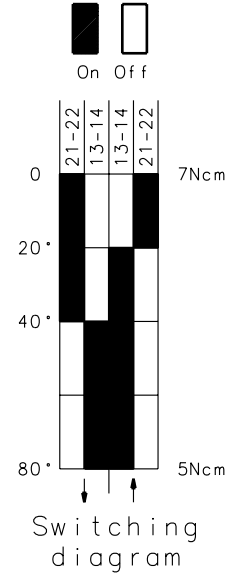
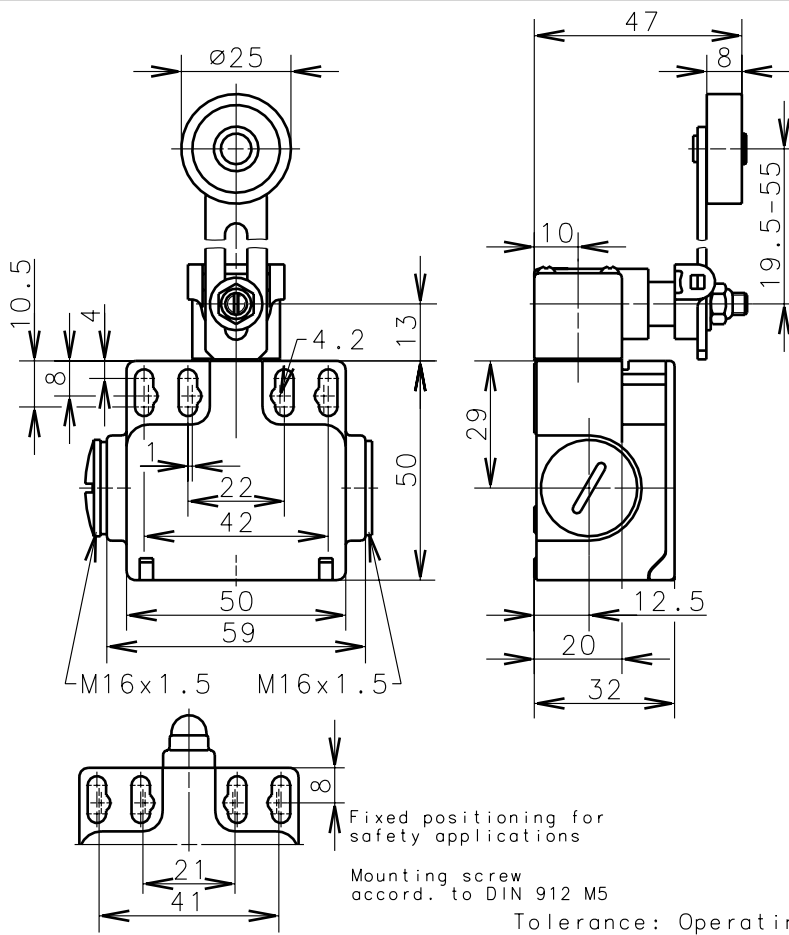
**Bernstein**

Bernstein AG  
Postfach 1164  
D-32437 Porta Westfalica

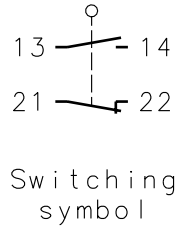
# Technical data sheet

Bi-SU1 AV

618.5186.070



IUCT-B311



Schutzvermerk nach DIN 34 beachten  
Copyright reserved

## Mechanical features

Enclosure: Thermoplast, glass fiber reinforced  
 Cover: Thermoplast, glass fiber reinforced  
 Actuator: Turret head, lever (st), roller (thermoplast)

Ambient air temperature:  $-30^{\circ}\text{C}$  up to  $+80^{\circ}\text{C}$   
 Contact type: 1 NC-contact, 1 NO-contact

Mechanical life:  $10 \times 10^6$  switch operations  
 Switch frequency: max. 100/min  
 Mounting: 2 x M4  
 Connection type: 4 screw connectors (M3.5)  
 Conductor cross-section: single core 0.5-1.5mm<sup>2</sup>/litz wire with connector sleeve 0.5-1.5mm<sup>2</sup>  
 Cable entry size: 2 x M16x1.5 lateral  
 Weight: approx. 0,13 kg

## Electrical features

Max. voltage: 500 V AC  
 Max. enduring current:  $I_{the}$  10A  
 Max. inrush current: accord. to IEC 947-5-1; AC 15; DC 13  
 Standards: accord. to VDE 0113, 0660; IEC 947-5-1  
 Protection class (IP-Code): IP65 accord. to IEC 529:1989; EN 60529, DIN VDE 0470 T1  
 CSA: 10A 300V AC, A300 (same polarity)  
 Short circuit protection: Fuse 2A gI/gG, IEC/EN 60947-5-1

## Approach possibilities

By loosening the 4 screws the Actuation Assembly can be rotated in 90 degree increments such that 4 Actuation directions are possible. The Actuation Assembly is to be again fastened to the housing using the 4 screws.

## Remarks

The rated protection class (IP-Code) is valid only at closed cover and when using an at least equivalent cable gland.

03.02.04