

Technical Data

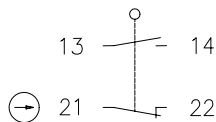
Plastic bodied limit switch

Series BI2

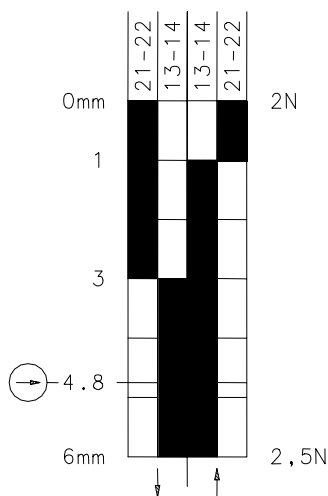
Description **BI2-SU1Z W LS LEDF GELB**

Article number **6185153103**

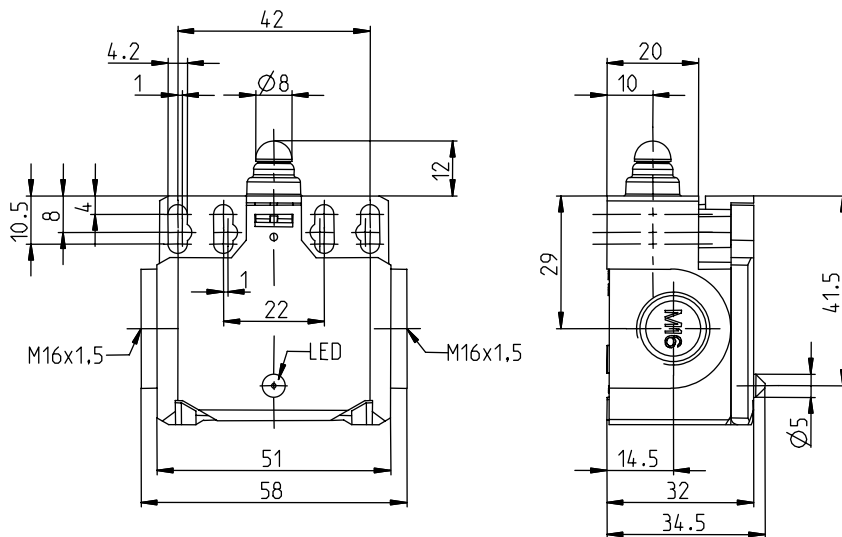
Operating symbol



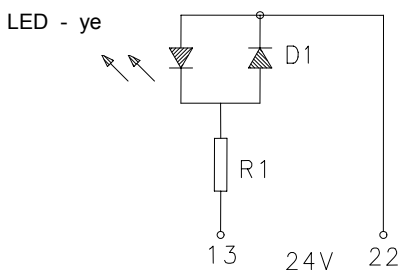
Operating diagram



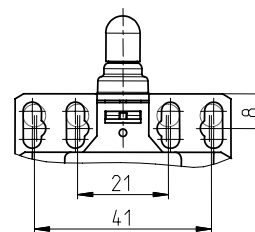
On
 Off
 Tolerance:
 Operating point $\pm 0,25$ mm;
 Actuating force ± 10 %



Operating bild



Fixed positioning for safety applications



Mounting screw M5 according to DIN 912 or DIN EN ISO 4762

Custom indoor circuit with LED

This document will not become the contractual basis; the details included herein do not constitute any descriptions of expected conditions, so that warranties/claims for defects on account of possible variations of the actual qualities from the qualities described herein are explicitly excluded. All rights reserved. Specifications subject to change without notice!

Technical Data

Plastic bodied limit switch



Electrical data		
Rated insulation voltage	U_i	75 V AC
Conv. thermal current	I_{the}	1 A
Rated operational voltage	U_e	24 V DC
Utilization category		AC-12 / DC-12
Direct opening action	⊖	Acc. to IEC/EN 60947-5-1, Annex K
Short-circuit protective device		Fuse 1 A gG
Protection class		II, totally insulated

Mechanical data	
Enclosure	Thermoplastic
Cover	Thermoplastic
Actuator	Push bolt (thermoplastic)
Ambient air temperature	-30 °C ... +80 °C
Contact type	1 NC, 1 NO (Zb)
Mechanical life	10 x 10 ⁶ switching cycles
Switching frequency	≤ 100 / min
Assembly	2 x M4 / 2 x M5 / 2 x M3 front mounting
Connection	4 screw connections (M3,5)
Conductor cross-sections	Solid: 0,5 ... 1,5 mm ² Litz wire with ferrules: 0,5 ... 1,5 mm ²
Cable entrance	2 x M16x1,5
Installation position	Operator definable
Protection type	IP65 acc. to EN 60529; DIN VDE 0470 T1

Actuation

The push bolt actuator is mainly intended to be actuated along it's axis.
Side actuation will considerably reduce switch life.

Standards	VDE 0660 T100, DIN EN 60947-1, IEC 60947-1 VDE 0660 T200, DIN EN 60947-5-1, IEC 60947-5-1
------------------	--

EU Conformity	acc. to directive 2006/95/EC
----------------------	------------------------------

Notes

The degree of protection (IP code) specified applies solely to a property closed cover and the use of an equivalent cable gland with adequate cable.

This document will not become the contractual basis; the details included herein do not constitute any descriptions of expected conditions, so that warranties/claims for defects on account of possible variations of the actual qualities from the qualities described herein are explicitly excluded. All rights reserved. Specifications subject to change without notice!

Date of issue: 05.05.2011 / Page 2 of 2
Document : 6185153103_en / Last update : 2 / 2316-11