



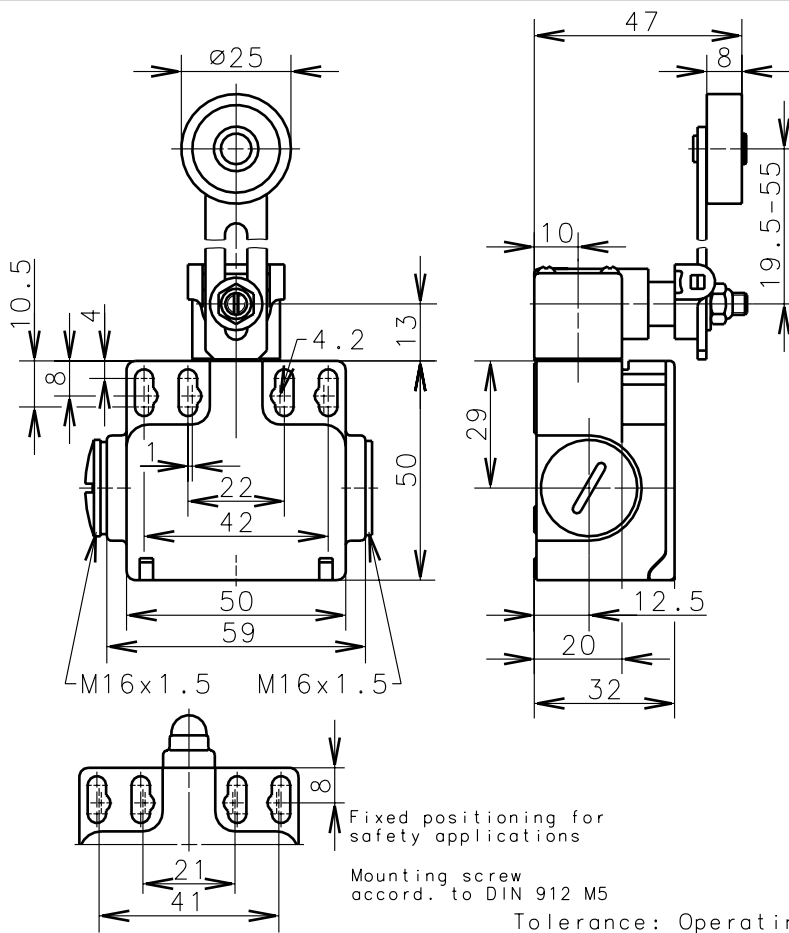
Bernstein

Bernstein AG
Postfach 1164
D-32437 Porta Westfalica

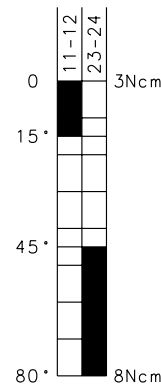
Technical data sheet

Bi-U1 AV

618.5136.060

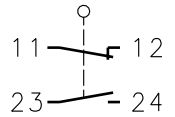


On Off



Switching diagram

IUCT-B111



Switching symbol

Schutzvermerk nach DIN 34 beachten
Copyright reserved

Mechanical features

Enclosure:	Thermoplast, glass fiber reinforced
Cover:	Thermoplast, glass fiber reinforced
Actuator:	Turret head, lever (st), roller (thermoplast)

Ambient air temperature:	-30°C up to +80°C
Contact type:	1 NC-contact, 1 NO-contact

Mechanical life:	10×10^6 switch operations
Switch frequency:	max. 100/min
Mounting:	2 x M4
Connection type:	4 screw connectors (M3.5)
Conductor cross-section:	single core 0.5-1.5mm ² /litz wire with connector sleeve 0.5-1.5mm ²
Cable entry size:	2 x M16x1.5 lateral
Weight:	approx. 0,13 kg

Electrical features

Max. voltage:	500 V AC
Max. enduring current:	I_{the} 10A
Max. inrush current:	accord. to IEC 947-5-1; AC 15; DC 13
Standards:	accord. to VDE 0113, 0660; IEC 947-5-1
Protection class (IP-Code):	IP65 accord. to IEC 529:1989; EN 60529, DIN VDE 0470 T1
CSA:	10A 300V AC, A300 (same polarity)
Short circuit protection:	Fuse 10A gI/gG, IEC/EN 60947-5-1

Approach possibilities

By loosening the 4 screws the Actuation Assembly can be rotated in 90 degree increments such that 4 Actuation directions are possible. The Actuation Assembly is to be again fastened to the housing using the 4 screws.

Remarks

The rated protection class (IP-Code) is valid only at closed cover and when using an at least equivalent cable gland.

29.01.04