



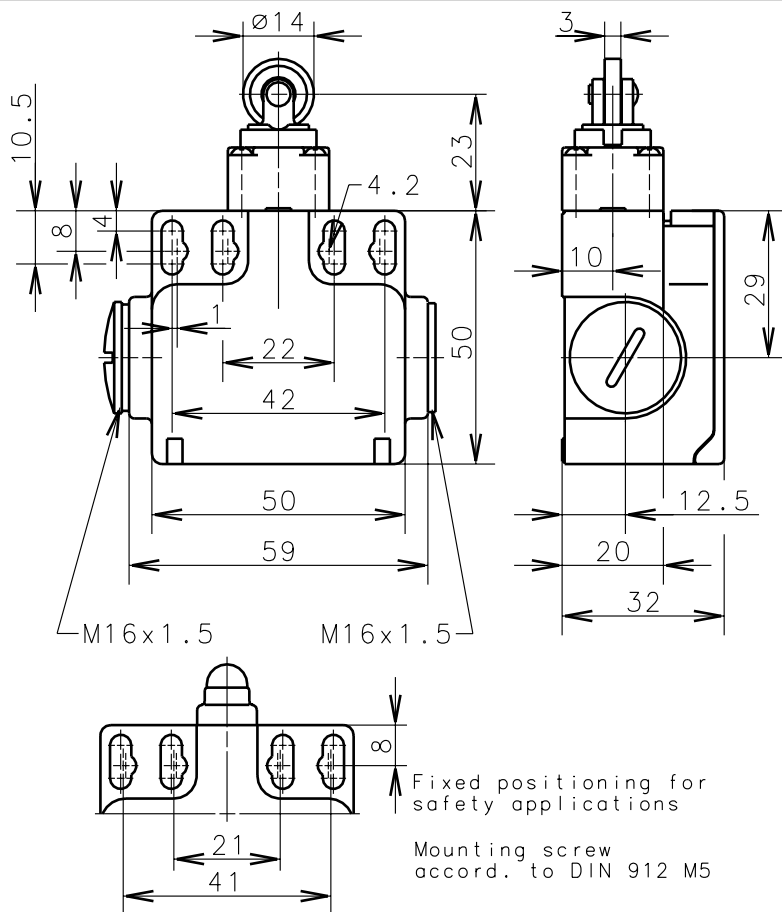
**Bernstein**

Bernstein AG  
Postfach 1164  
D-32437 Porta Westfalica

# Technical data sheet

Bi-U1Z Riwl

618.5117.055

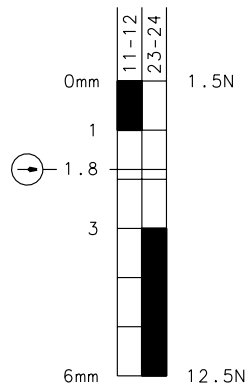


Positive opening operation according to DIN EN 60947-5-1 IEC 60947-5-1

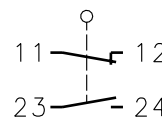


On Off

IUCR-B211



Switching diagram



Switching symbol

Tolerance: Operating point  $\pm 0.25\text{mm}$ ; actuating force  $\pm 10\%$

## Mechanical features

Enclosure: Thermoplast, glass fiber reinforced  
 Cover: Thermoplast, glass fiber reinforced  
 Actuator: Roller (Thermoplast)

Ambient air temperature:  $-30^\circ\text{C}$  up to  $+80^\circ\text{C}$   
 Contact type: 1 NC-contact, 1 NO-contact (Zb)

Mechanical life:  $10 \times 10^6$  switch operations  
 Switch frequency: max. 100/min  
 Mounting: 2 x M4  
 Connection type: 4 screw connectors (M3.5)  
 Conductor cross-section: single core  $0.5\text{-}1.5\text{mm}^2$ /litz wire with connector sleeve  $0.5\text{-}1.5\text{mm}^2$   
 Cable entry size: 2 x M16x1.5 lateral  
 Weight: approx. 0,08 kg

## Electrical features

Max. voltage: 500 V AC  
 Max. enduring current:  $I_{the}$  10A  
 Max. inrush current: accord. to IEC 947-5-1; AC 15; DC 13  
 Standards: accord. to VDE 0113, 0660; IEC 947-5-1  
 Protection class (IP-Code): IP65 accord. to IEC 529:1989; EN 60529, DIN VDE 0470 T1  
 CSA: 10A 300V AC, A300 (same polarity)  
 Short circuit protection: Fuse 10A gI/gG, IEC/EN 60947-5-1, appendix K

## Approach possibilities

By loosening the 4 screws the Actuation Assembly can be rotated in 90 degree increments such that 2 Actuation directions are possible. The Actuation Assembly is to be again fastened to the housing using the 4 screws.

## Remarks

The rated protection class (IP-Code) is valid only at closed cover and when using an at least equivalent cable gland.

Copies are not retreated in case of alternations.

Schutzvermerk nach DIN 34 beachten  
Copyright reserved

08.01.04