



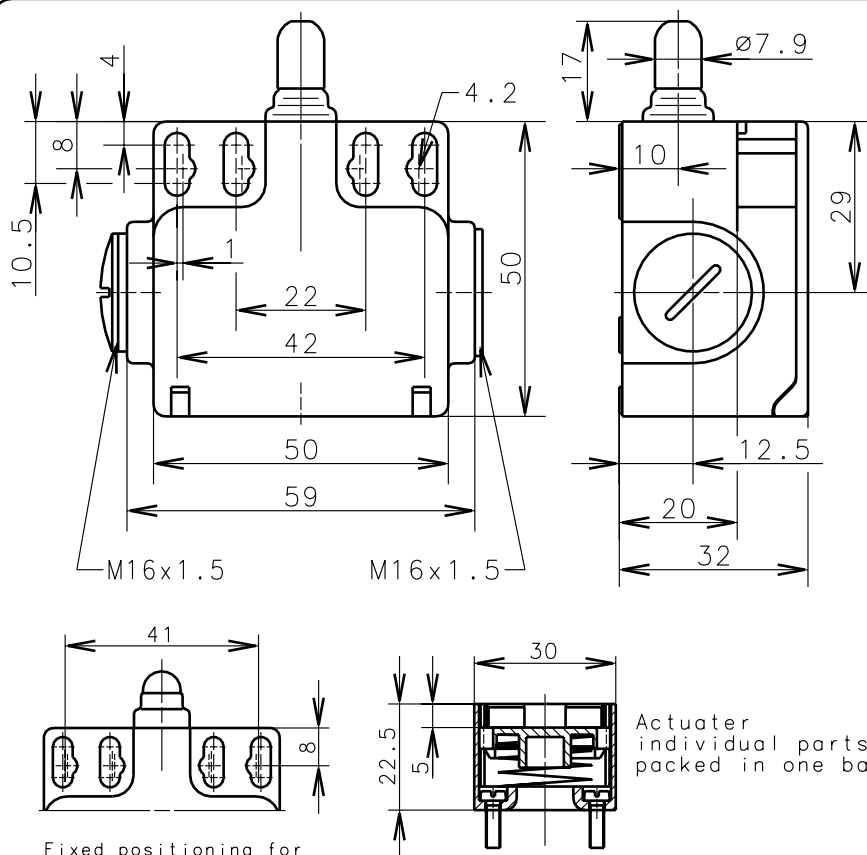
**Bernstein**

Bernstein AG  
Postfach 1164  
D-32437 Porta Westfalica

# Technical data sheet

**Bi-UV1Z Taster**

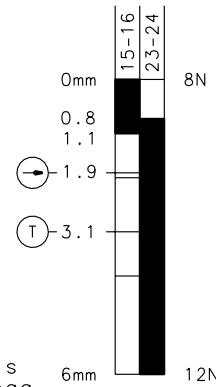
**618.5100.050**



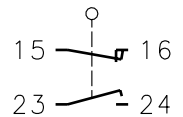
Positive opening operation according to DIN EN 60947-5-1 IEC 60947-5-1



⊕ Gap between NC-contacts per EN 81



GBA 177 JV1



Switching diagram

Switching symbol

Fixed positioning for safety applications

Mounting screw accord. to DIN 912 M5

Tolerance: operating point  $\pm 0.25\text{mm}$ ; actuating force  $\pm 10\%$

Schutzvermerk nach DIN 34 beachten  
Copyright reserved

## Mechanical features

Enclosure:	Thermoplast, glass fibre reinforced
Cover:	Thermoplast, glass fibre reinforced
Actuator:	Stop-push button

Ambient air temperature:	-30°C up to +80°C
Contact type:	1 NC-contact, 1 NO-contact

Mechanical life:	$10 \times 10^6$ switch operations
Switch frequency:	max. 100/min
Mounting:	2 x M4
Connection type:	4 screw connections (M3.5)
Conductor cross-section:	single core 0.5-1.5mm <sup>2</sup> /litz wire with connector sleeve 0.5-1.5mm <sup>2</sup>
Cable entry size:	2 x M16x1.5 (lateral)
Weight:	approx. 0,10 kg

## Electrical features

Max. Voltage:	500 V AC
Max. enduring current:	$I_{the}$ 10A
Max. inrush current:	according to IEC 60947-5-1, AC 15, DC 13
Standards:	according to EN 60947-1; EN 60947-5-1
Protection class (IP-Code):	IP65 according to EN 60529; DIN VDE 0470 T1
CSA:	10A 300V AC, A300 (same polarity)
Short-circuit protection:	Fuse 10A gL/gG, IEC/EN 60947-5-1, appendix K

## Approach possibilities

The mentioned data refer to actuation in axial direction.

## Remarks

The moving parts should be oiled periodically.  
The rated protection class (IP-Code) is valid only at closed cover and when using an at least equivalent cable gland.

24.09.03