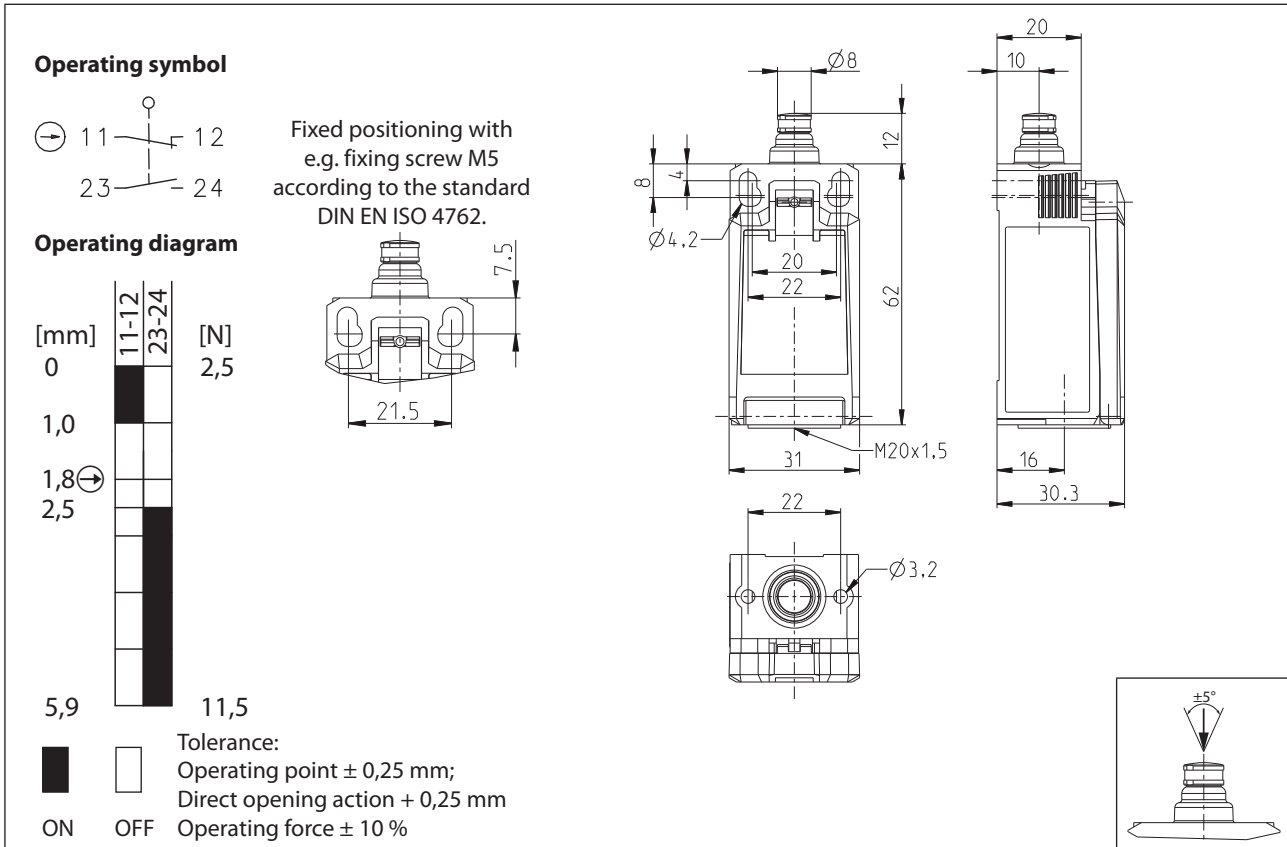


Plastic bodied limit switch Series IN62

Description **IN62-U1Z SK**

Article number **6183000227**



| Electrical Data | | |
|---|-----------|---|
| Rated insulation voltage | U_i | 400 V |
| Rated impulse withstand voltage | U_{imp} | 4 kV |
| Rated operational voltage | U_e | 240 V AC / 24 V DC |
| Rated supply frequency AC | | 50 / 60 Hz |
| Overvoltage category | | II acc. EN 60947-1 annex H table H1 |
| Conv. thermal current | I_{the} | 5 A |
| Minimum current | | 1 mA |
| Utilization category | | AC 15, U_e/I_e 240 V / 3 A DC 13, U_e/I_e 24 V / 4 A |
| Direct opening action | \ominus | acc. IEC/EN 60947-5-1, annex K; direct opening force: 18 N |
| Short-circuit protective device | | Fuse 4 A gG |
| Rated conditional short-circuit current | | 400 A |
| Max. contact resistance | | 25 mOhm (unused) |
| Protection class | | II, totally insulated |

| Mechanical data | |
|------------------------------------|---|
| Enclosure | Thermoplastic, glass fibre reinforced (UL 94-V0) |
| Cover | Thermoplastic, glass fibre reinforced (UL 94-V0) |
| Actuator | Plunger (Thermoplastic (UL 94-HB)) |
| Actuating force | F_B 10 N $\leq F_B \leq$ 30 N |
| Operating temperature | -30 °C ... +75 °C |
| Storage temperature | -40 °C ... +80 °C |
| Protection type | IP67 acc. EN 60529 |
| Pollution degree (built-in switch) | 3 |
| Contact material | silver |
| Device Class (built-in switch) | Category E (MC3+CC2+SC1) acc. EN 60947-1 annex Q |
| Contact type | 1 N.C. (Form Zb), 1 N.O. |
| Isolating distance | 4 mm (2x2 mm) |
| Operating rate | V 0,06 m/min $\leq V \leq$ 30 m/min |
| Bounce duration | ms The value depends on the operating rate. |
| Switchover time | ms The value depends on the operating rate. |
| Switching frequency | \leq 60 / min. |
| Mechanical life | 10 x 10 ⁶ operating cycles |
| Mission time | \leq 20 years |
| Connection | 4 screw connections (M3) |
| Conductor cross-sections | Solid or Litz wire with ferrules 0,34 mm ² - 1,5 mm ² ; AWG 22-16 |
| Cable entrance | 1 x M20 x1,5 |
| Weight | \approx 0,06 kg |
| Installation position | operator definable |

| Actuation |
|--|
| The push bolt actuator is mainly intended to be actuated along its axis. |

| ID for safety engineering |
|---------------------------------------|
| B10d N.C. 20 x 10 ⁶ cycles |
| B10d N.O. 1 x 10 ⁶ cycles |

| Standards |
|--|
| VDE 0660 T200, DIN EN 60947-5-1, IEC 60947-5-1 |
| UL 508 / CSA C22.2 No.14 |
| DIN EN ISO 13849-1 |
| EN81-20 |
| EN81-50 |

| EU Conformity |
|--|
| acc. to directive 2006/42/EC (Safety-of-Machinery-Directive) |

| Approvals |
|--|
| DGUV (AC 15, U _e /I _e 240 V / 1,5 A; DC 13, U _e /I _e 24 V / 1,5 A) |
| CCC (AC 15, U _e /I _e 240 V / 1,5 A; DC 13, U _e /I _e 24 V / 1,5 A) |
| cCSA _{US} B300, 240Vac 1.5A G.P., 24Vdc 1.5A R. Enclosure Type 4X |
| TÜV (AC 15, U _e /I _e 240 V / 1,5 A; DC 13, U _e /I _e 24 V / 1,5 A) |

Notes

The degree of protection (IP code) specified applies solely to a property closed cover and the use of an equivalent cable gland with adequate cable.

Special :

12 switches in a cardboard box,
of which 17 cartons (204 switches in total) in one outer packaging
1 BMA per outer packaging