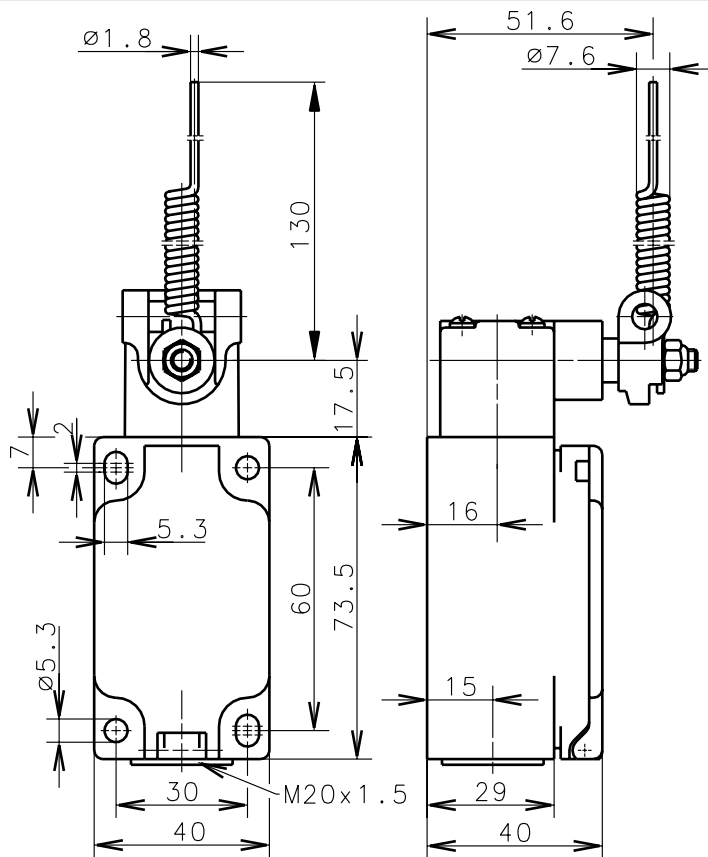
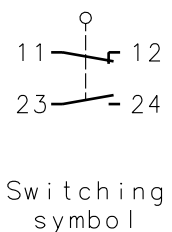
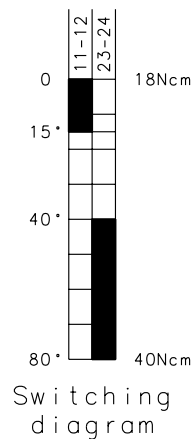


**Bernstein**Bernstein AG  
Postfach 1164  
D-32437 Porta Westfalica**Technical data sheet****ENK-U1 AF****618.1139.262**

ISGQ-B111

Tolerance: operating point  $\pm 3.5^\circ$ ; operating torque  $\pm 10\%$ **Mechanical features**

Enclosure: Thermoplast, glass fibre reinforced  
 Cover: Thermoplast, glass fibre reinforced  
 Actuator: Turret head (Zn-die cast), wobble stick (st)

Ambient air temperature:  $-30^\circ\text{C}$  up to  $+80^\circ\text{C}$   
 Contact type: 1 NC-contact, 1 NO-contact

Mechanical life:  $10 \times 10^6$  switch operations  
 Switch frequency: max. 100/min  
 Mounting: 4 x M5  
 Connection type: 4 screw connections (M3.5)  
 Conductor cross-section: single core 0.5-1.5mm<sup>2</sup> / Litz wire with connector sleeve 0.5-1.5mm<sup>2</sup>  
 Cable entry size: 1 x M20x1.5  
 Weight: approx. 0,24kg

**Electrical features**

Rated insulation voltage:  $U_i = 400$  V AC  
 Conventional thermal current:  $I_{the} = 10$  A  
 Max. inrush current: according to IEC 60947-5-1, AC 15, A300  
 Utilization categorie: AC 15, A300,  $U_e/I_e$  240V/3A  
 Standards: according to EN 60947-1; EN 60947-5-1  
 Protection class (IP-Code): IP65 according to EN 60529; DIN VDE 0470 T1  
 CSA: 10A 300V AC, A300 (same polarity)  
 Short-circuit protection: Fuse 10A gL/gG, IEC/EN 60947-5-1

**Approach possibilities**

By loosening the 4 screws the Actuation Assembly can be rotated in 90 degree increments such that 4 Actuation directions are possible. The Actuation Assembly is to be again fastened to the housing using the 4 screws.

**Remarks**

The moving parts should be oiled periodically.  
 The rated protection class (IP-Code) is valid only at closed cover and when using an at least equivalent cable gland.

Copies are not retreated in case of alternations.