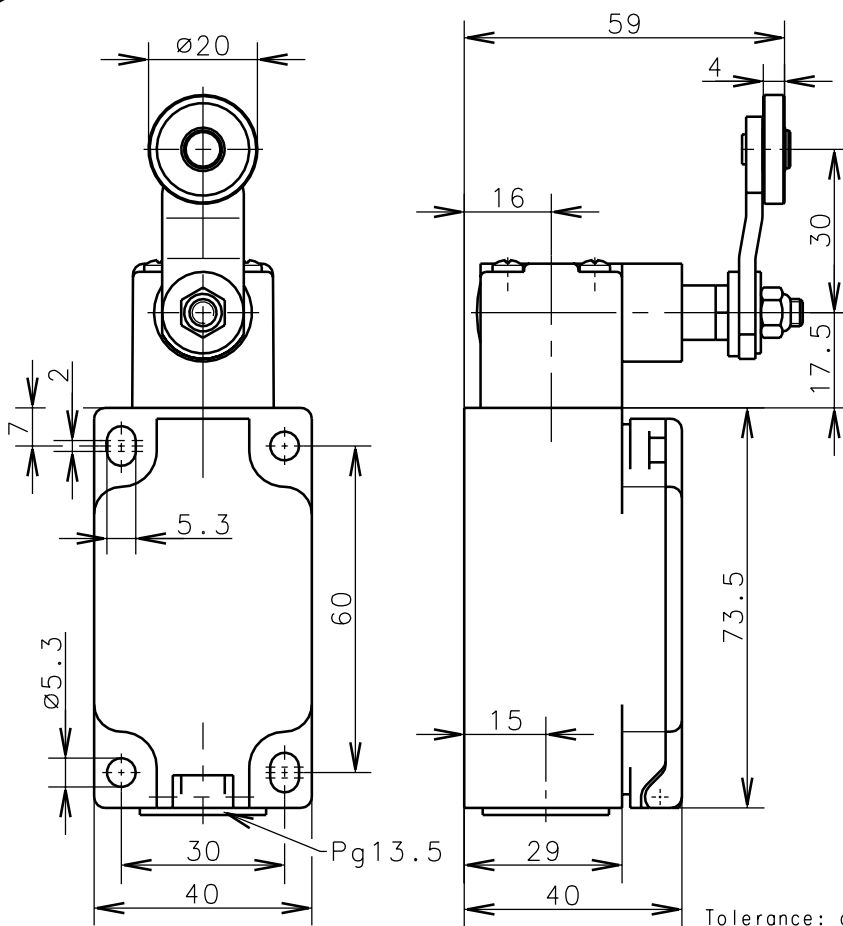
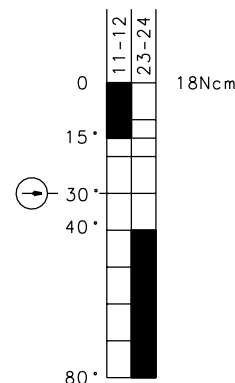
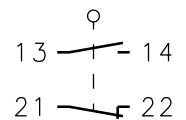


**Bernstein**Bernstein AG
Postfach 1164
D-32437 Porta Westfalica**Technical data sheet**

ENK-U1Z AHS-V

618.1135.161

Positive opening
operation according
to DIN EN 60947-5-1
IEC 947-5-1Switching
diagramSwitching
symbolTolerance: operating point $\pm 3.5^\circ$; operating torque $\pm 10\%$ **Mechanical features**

Enclosure: Thermoplast, glass fiber reinforced
 Cover: Thermoplast, glass fiber reinforced
 Actuator: Turret head (Zn-die cast), roller (thermoplast)

Ambient air temperature: -30°C up to $+80^\circ\text{C}$
 Contact type: 1 NC-contact, 1 NO-contact (Zb)

Mechanical life: 10×10^6 switch operations
 Switch frequency: max. 100/min
 Mounting: 4 x M5
 Connection type: 4 screw connections (M3.5)
 Cable entry size: 1 x Pg13.5
 Weight: approx. 0,23kg

Electrical features

Max. Voltage: 500 V AC
 Max. enduring current: 1 th 10A
 Max. inrush current: according to IEC 947-5-1, AC 15, DC 13
 Standards: according to EN 60204; EN 60947-1; EN 60947-5-1
 Protection class (IP-Code): IP65 according to EN 60529; DIN VDE 0470 T1
 CSA: 10A 300V AC, A300 (same polarity)
 Short circuit protection: 10A slow-acting, 16A quick-acting

Approach possibilities

By loosening 4 screws it is possible to turn the actuator through 90° so that 4 approach possibilities can be achieved.

Remarks

The moving parts should be oiled periodically.
 The planned protection class (IP-Code) is valid only at closed cover and when using an at least equivalent cable gland.

Schutzvermerk nach DIN 34 beachten
Copyright reserved

01.08.2000