



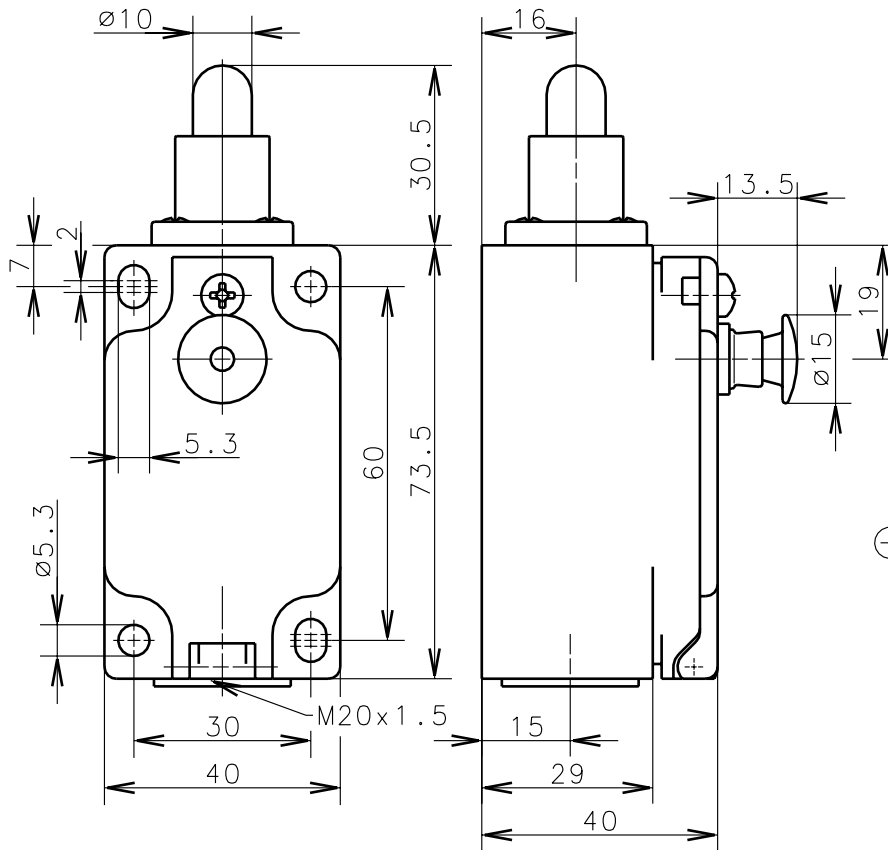
Bernstein

Bernstein AG
Postfach 1164
D-32437 Porta Westfalica

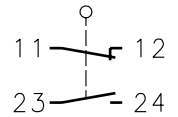
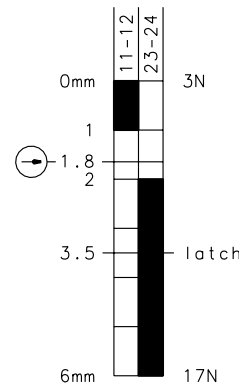
Technical data sheet

ENK-U1Z iw Rast

618.1102.137



Positive opening operation according to DIN EN 60947-5-1 IEC 60947-5-1



Switching diagram

Switching symbol

Tolerance: operating point $\pm 3.5^\circ$; operating torque $\pm 10\%$

Mechanical features

Enclosure: Thermoplast, glass fibre reinforced
 Cover: Thermoplast, glass fibre reinforced
 Actuator: push bolt (st)

Ambient air temperature: -30°C up to $+80^\circ\text{C}$
 Contact type: 1 NC-contact, 1 NO-contact (Zb)

Mechanical life: 1×10^6 switch operations

Switch frequency: max. 60/min

Mounting: 4 x M5

Connection type: 4 screw connections (M3.5)

Conductor cross-section: single core $0.5\text{-}1.5\text{mm}^2$ / Litz wire with connector sleeve $0.5\text{-}1.5\text{mm}^2$

Cable entry size: 1 x $M20 \times 1.5$

Weight: approx. 0,15kg

Electrical features

Rated insulation voltage: $U_i = 500\text{ V AC}$

Conventional thermal current: $I_{the} = 10\text{ A}$

Max. inrush current: according to IEC 60947-5-1, AC 15, A300

Utilization categorie: AC 15, A300, U_e/I_e 240V/3A

Standards: according to EN 60947-1; EN 60947-5-1

Protection class (IP-Code): IP65 according to EN 60529; DIN VDE 0470 T1

CSA: 10A 300V AC, A300 (same polarity)

Short-circuit protection: Fuse 10A gL/gG, IEC/EN 60947-5-1, appendix K

Approach possibilities

The push bolt actuator is mainly intended to be actuated along its axis. Side actuation will considerably reduce switch life.

Remarks

The moving parts should be oiled periodically.

The rated protection class (IP-Code) is valid only at closed cover and when using an at least equivalent cable gland.

Copies are not retreated in case of alternations.

Schutzvermerk nach DIN 34 beachten
Copyright reserved

19.09.2001