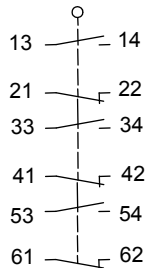


Series GC

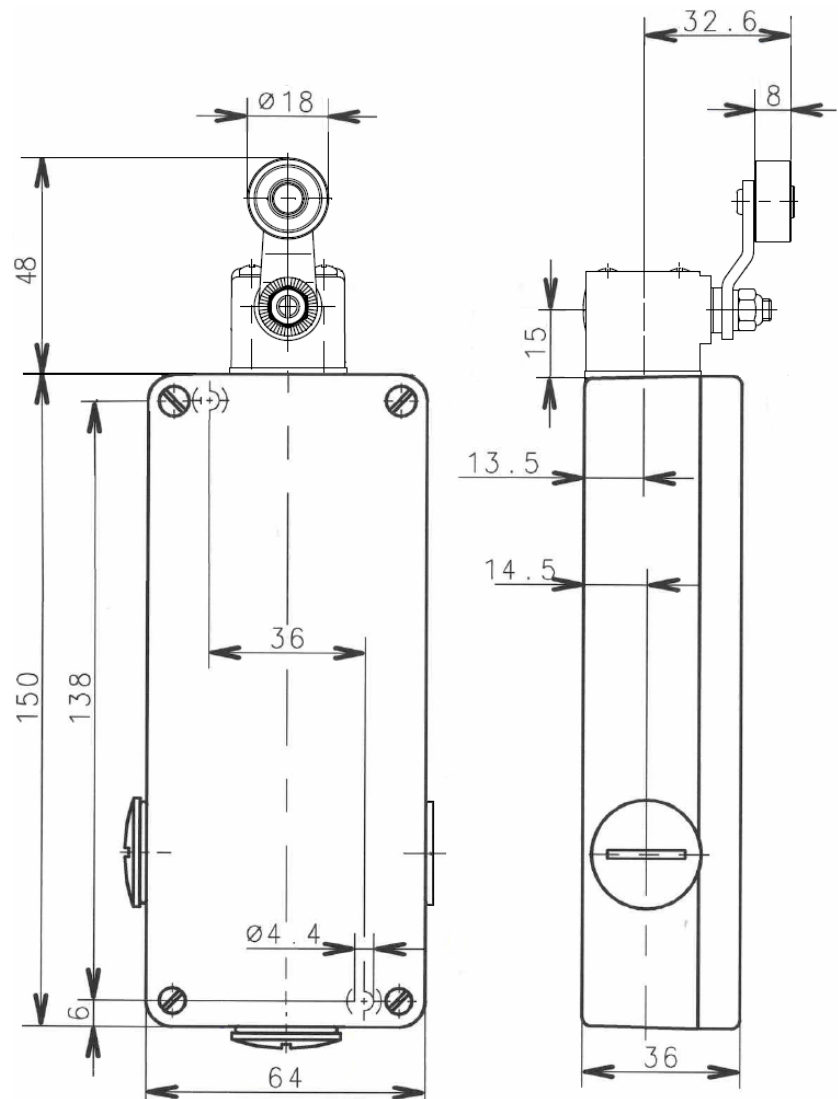
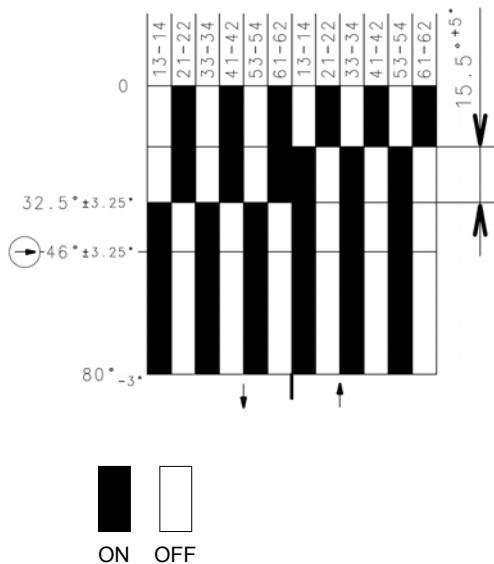
Description **BCM-100-SU3Z AH**

Article number **617000018**

Operating symbol



Operating diagram



Electrical data

Rated insulation voltage	U_i	400 V AC
Conv. thermal current	I_{the}	10 A
Rated operational voltage	U_e	240 V
Utilization category		AC-15, U_e/I_e 240 V / 3 A
Direct opening action	⊖	acc. IEC/EN 60947-5-1, annex K
Short-circuit protective device		Fuse 2 A gG
Protection class		I

This document will not become the contractual basis; the details included herein do not constitute any descriptions of expected conditions, so that warranties/claims for defects on account of possible variations of the actual qualities from the qualities described herein are explicitly excluded. All rights reserved. Specifications subject to change without notice!

Date of issue: 17.02.2012 / Page 1 of 2
Document: 617000018_en / Last update: 1 / 2119-12

Mechanical data

Enclosure	Die-cast aluminium
Cover	Die-cast aluminium
Actuator	Lever arm housing (Zn-DG), roller (thermoplastic)
Ambient air temperature	-30 °C ... +80 °C
Contact type	3 NC, 3 NO (Zb)
Mechanical life	10 ⁷ operating cycles
Switching frequency	≤ 100 / min.
Assembly	2 x M4
Connection	12 screw terminals (M3.5)
Conductor cross-sections	Solid: 0.5 ... 1.5 mm ² Litz wire with cable lugs: 0.5 ... 1.5 mm ²
Cable entrance	3 x M20 x 1.5
Weight	≈ 0.52 kg
Installation position	Operator definable
Protection type	IP65 acc. to IEC/EN 60529

Actuation

By loosening the 4 screws the actuation assembly can be rotated in 90 degree increments such that 4 actuation directions are possible. The actuation assembly is to be again fastened to the housing using the 4 screws.

Standards	VDE 0660 T100, DIN EN 60947-1, IEC 60947-1 VDE 0660 T200, DIN EN 60947-5-1, IEC 60947-5-1
------------------	--

EU Conformity	acc. to directive 2006/95/EG
----------------------	------------------------------

Notes

The degree of protection specified (IP code) applies only to a properly closed cover and the use of an equivalent cable gland with adequate cable.