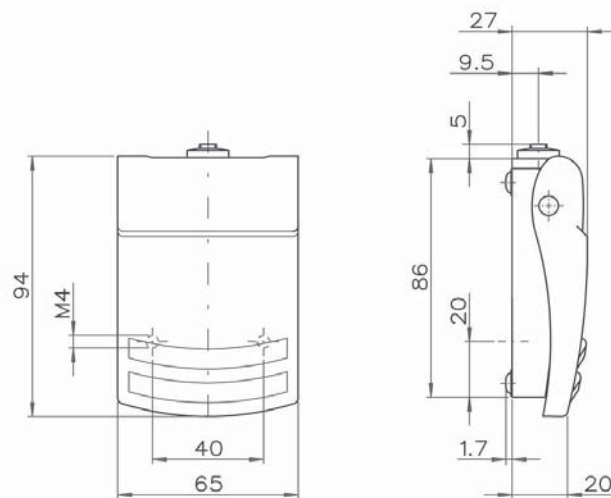
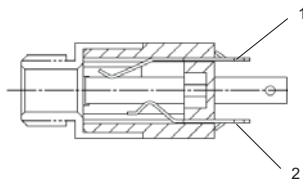
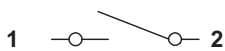


Foot-switch
Series KFM1

Description **KFM1-SE1 RT**

Article number **6169100007**

Operating symbol



Electrical data

Rated operational current	I_e	0,1 A
Rated operational voltage	U_e	24 V DC
Protection class		II, fully insulated

Mechanical Data

Enclosure	PA6.6 glass fibre reinforced, black
Actuator	Foot lever PA6.6 glass fibre reinforced, red
Ambient air temperature	-20 °C ... +80 °C
Contact type	1 NO
Mechanical life	1 x 10 ⁶ switching cycles
Connection	Socket for phone jack 3,5 mm
Protection type	IP 65 acc. to IEC/EN 60529

Standards

DIN EN 61058

EU Conformity

acc. to directive 2014/35/EU (Low-Voltage-Directive)

Notes

The degree of protection (IP code) specified applies only to a properly closed cover.