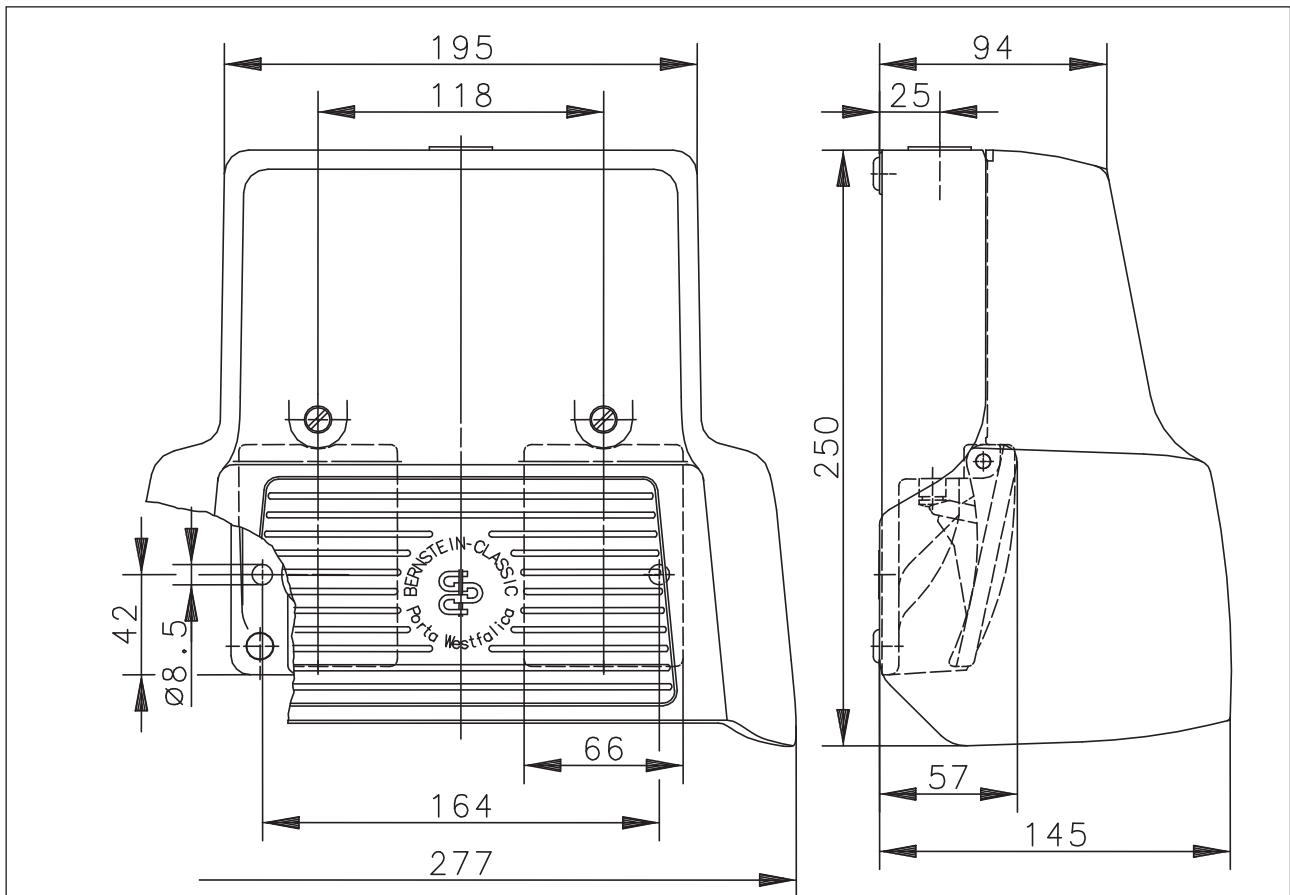


Foot-switch
Series F2

Description **F2-RG/RG UN**

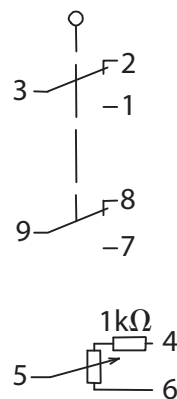
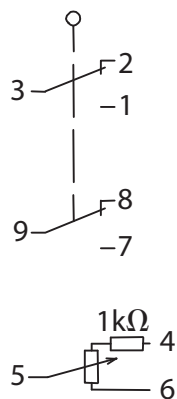
Article number **6162940793**



Operating symbol

Pedal left

Pedal right



Electrical data			
		Microswitch	Potentiometer
Rated current	I	5 A	-
Contact current	I	-	< 0,1 µA
Load	P	-	0,5 W/40 °C
Rated voltage	U	250 V AC	$U_{max} = \sqrt{P \times R}$ [V]
Ferrule resistor	R	-	10 kΩ ± 20 %
Short-circuit protective device		Fuse 2 A gG	Fuse F 10 mA
Protection class		I	

Mechanical data			
Enclosure		AL	
Protective guard		AL	
Actuator		2 pedals (thermoplastic)	
Ambient air temperature		-25 °C to +80 °C	
Contact type		4 changeover	
Operating force		ca. 10 N (pedal centre)	
			Potentiometer
Mechanical life		10x10 ⁶ operations	5x10 ⁴ rotation cycles
Switching frequency		max. 20 operating cycles/min	
Assembly		2 screws M8	
Connection		connecting terminal M2	
Number of connections		9 each pedal	
Protection ground		2 x M4	
Cable entrance		1 x M20 x 1,5	
Weight		≈ 3 kg	
Protection type		IP67 acc. to IEC/EN 60529	

Standards	
	VDE 0660 T100, DIN EN 60947-1, IEC 60947-1
	VDE 0660 T200, DIN EN 60947-5-1, IEC 60947-5-1
Micro switch	DIN EN 61058-1 (VDE 0630 Teil 1)

EU Conformity	
	acc. to directive 2014/35/EU (Low-Voltage-Directive)

Notes	
The degree of protection (IP code) specified applies only to a properly closed cover and in connection with the appropriate cable glands or blind plugs.	