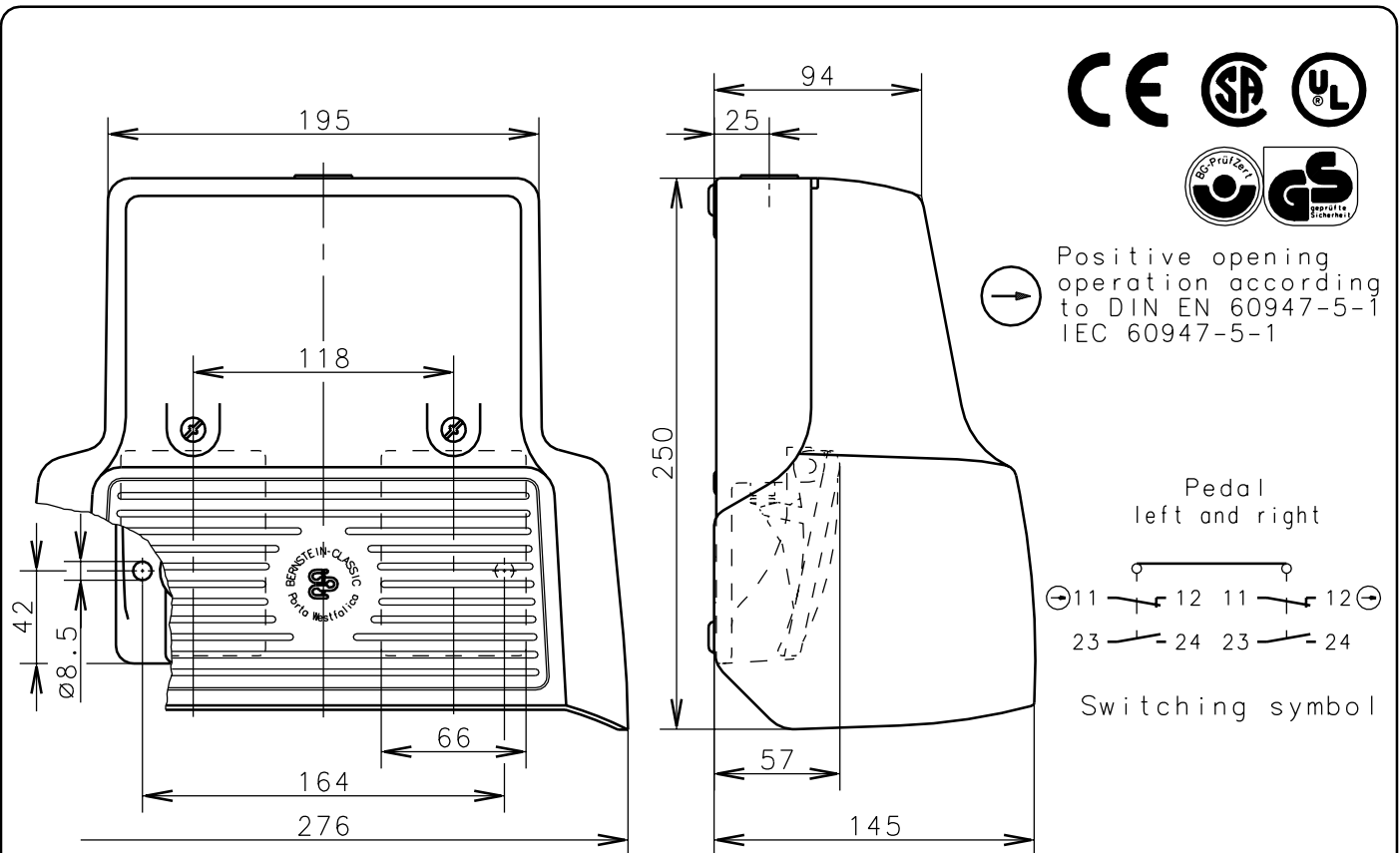


**Bernstein**Bernstein AG
Postfach 1164
D-32437 Porta Westfalica**Technical data sheet**

F2-U2Z/U2Z UN

616.2720.347



Actuating force approx. 10N

Mechanical features

Enclosure: Al-die cast
 Protective guard: Al-die cast
 Actuator: Foot lever

Ambient air temperature: -30 °C up to +80 °C
 Contact type: 4 NC-contact, 4 NO-contact (Zb)

Mechanical life: 10x10⁶ switch operations
 Switch frequency: max. 50/min
 Mounting: without mounting or 2 x M8
 Connectoin type: 16 screw connections (M3,5)
 Conductor cross-section: single core 0.5-1.5mm² / litz wire with connector sleeve 0.5-1.5mm²
 Cable entry size: 1 x M20x1,5
 Weight: approx. 2,6 kg

Electrical features

Rated insulation voltage: U_i = 500 V AC
 Conventional thermal current: I_{the} = 10A
 Max. inrush current: according to IEC 60947-5-1; AC 15, A300
 Utilization categorie: AC 15, A300, U_e/I_e 240V/3A
 Standards: according to EN 60947-1; EN 60947-5-1
 Protection class (IP-Code): IP65 according to EN 60529; DIN VDE 0470 T1
 CSA: 10A 300V AC, A300 (same polarity)
 Short-circuit protection: Fuse 10A gL/gG, IEC/EN 60947-5-1, appendix K

Remarks

The moving parts should be oiled periodically.
 For the cable entry use jacks with threads and suitable sealing compound.
 Not used tapped holes must be closed with pegs and gasket. The lid screw should only be tightened hand tight. The earthing connection must be made with ring eyes or a ring terminal.

The rated protection class (IP-Code) is valid only at closed protection guard and when using an at least equivalent cable gland.

Copies are not retreated in case of alternations.

Schutzvermerk nach DIN 34 beachten
Copyright reserved

23.10.2001