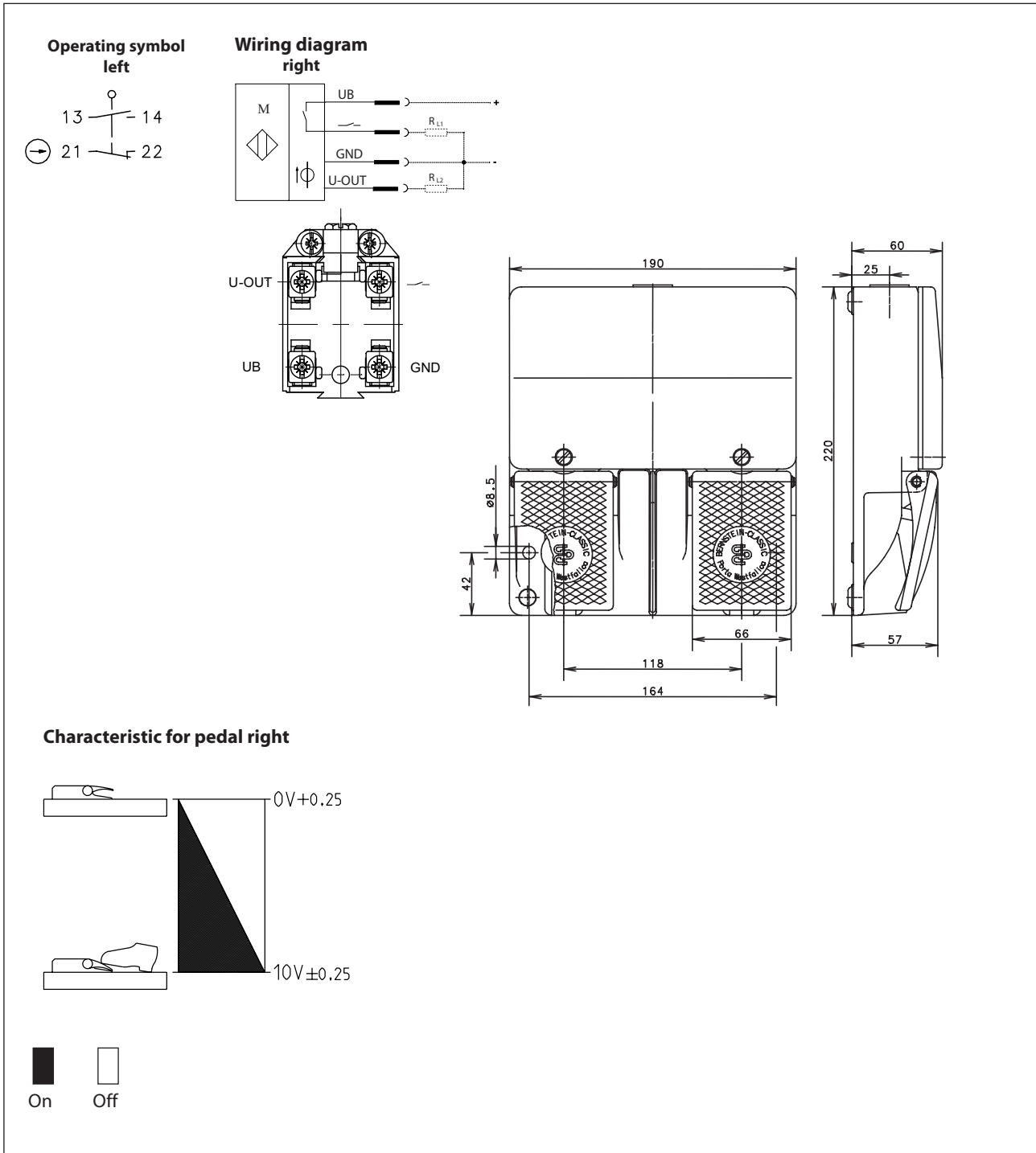


Foot-switch Series F2

Description **F2-SU1Z/AU0-10V**

Article number **6162350027**



| Electrical data | |
|---|--|
| Protection class | I |
| Pedal left | |
| Rated insulation voltage | U_i 400 V AC |
| Conv. thermal current | I_{the} 10 A |
| Rated operational voltage | U_e 240 V |
| Utilization category | AC-15, U_e 240 V / I_e 3 A |
| Direct opening action | ⊕ acc. to IEC/EN 60947-5-1, annex K (pedal stop only right) |
| Short-circuit protective device | Fuse 2 A gG |
| Switching element function | 1 NC, 1 NO (Zb) |
| Pedal right | |
| Rated operating voltage range | U_B 12 - 26 V DC |
| Idle current | I_o < 25 mA |
| Short-circuit protection type switching element | synchronising, permanently short-circuit and overload protected |
| Reverse polarity | yes |
| Readiness delay | t_v < 50 ms |
| Analogue output | |
| Voltage output (control range) | 0 – 10 V |
| Linearity errors max. | ± 2,5 % from the end value (10 V), U_B and temperature at a constant level |
| Temperature errors max. | ± 10 % U_B constant level |
| Repetition accuracy | R ≤ 2 % from the end value (10 V), U_B and temperature at a constant level |
| min. Load resistance | R_{L2} 2 kΩ |
| Switching output | |
| switching element function | S PNP NO (teachable) |
| Hysteresis | H ≈ 10 % |
| Voltage drop | U_d ≤ 1,6 V |
| Utilization category | DC 12 |
| Rated operational currents | I_e 200 mA |
| Minimum operating current | I_m 1 mA |
| Residual current | I_r < 0,1 mA |

| Mechanical data | |
|--------------------------|---|
| Enclosure | AL, die-cast |
| Cover | AL, die-cast; RAL 7035 (lightgrey) |
| Actuator | Foot lever (PA) |
| Ambient air temperature | -30° C ... +80° C |
| Operating force | ≈ 10 N (pedal centre) |
| Mechanical life | 10 x 10 ⁶ operating cycles |
| Switching frequency | max. 50 / min |
| Assembly | 2 x M8 |
| Connection | screw terminals (M3,5) |
| Number of connections | 8 |
| Protection ground | 2 x M4 |
| Conductor cross-sections | Solid: 0,5 ... 1,5 mm ² or Litz wire with ferrules: 0,5 ... 1,5 mm ² |
| Cable entrance | 1 x M20 x 1,5 |
| Weight | ≈ 1,7 kg |
| Protection type | IP65 acc. to IEC/EN 60529 |

| Standards | |
|-----------|--|
| | VDE 0660 T100, DIN EN 60947-1, IEC 60947-1 |
| | VDE 0660 T200, DIN EN 60947-5-1, IEC 60947-5-1 |
| | EN 60947-5-7 |

| EU Conformity ¹⁾ | |
|-----------------------------|--|
| | acc. to directive 2014/30/EU (EMC-Directive) |
| | acc. to directive 2014/35/EU (Low-Voltage-Directive) |

| Notes | |
|---|--|
| <p>Tapped holes not in use must be closed with blind plugs. The degree of protection (IP code) specified applies only to a properly closed cover and in connection with the appropriate cable glands or blind plugs.</p> <p>¹⁾To be conform with the EMV guideline (2014/30/EU) a shielded connection cable has to be used.</p> | |