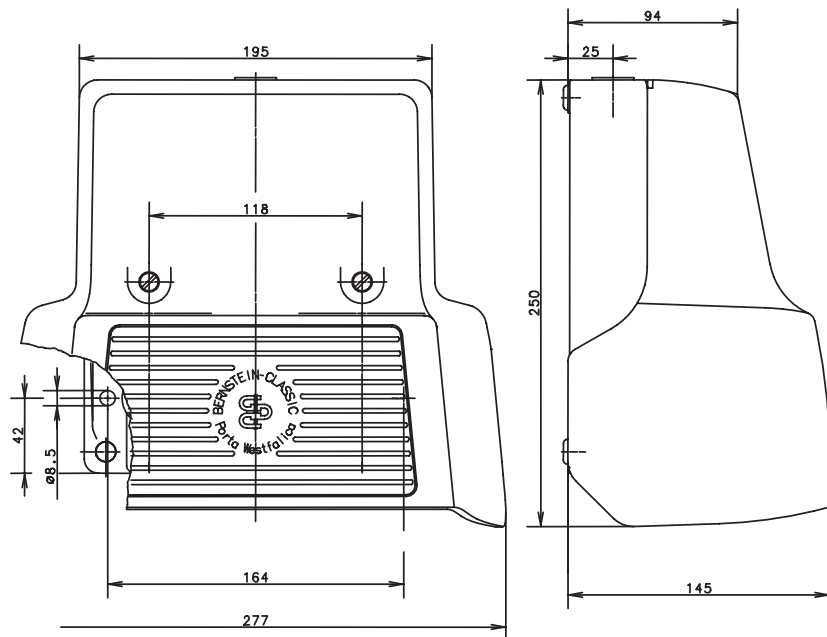
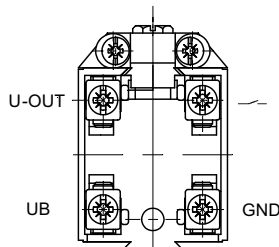
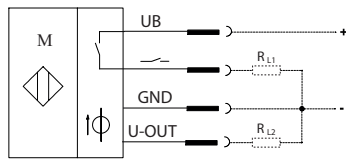


Foot-switch Series F2 UN

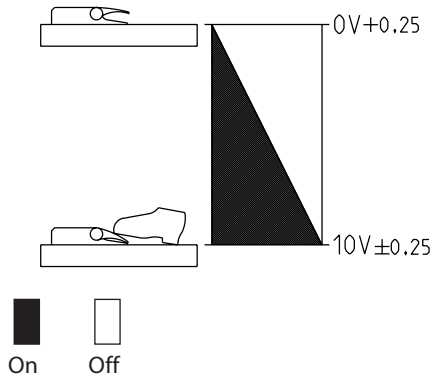
Description **F2-AU0-10V/AU0-10V UN**

Article number **6162000768**

Wiring diagram for pedal 1 and 2



Characteristic for pedal 1 and 2



| Electrical Data | |
|---|---|
| Rated operating voltage range | U_B 12 - 26 V DC |
| Idle current | I_o < 25 mA |
| Short-circuit protection type switching element | synchronising, permanently short-circuit and overload protected |
| Reverse polarity | yes |
| Readiness delay | t_v < 50 ms |
| Protection class | III (safety extra-low voltage) |
| Analogue output | |
| Voltage output (control range) | 0 – 10 V |
| Linearity errors max. | $\pm 2,5$ % from the end value (10 V), U_B and temperature at a constant level |
| Temperature errors max. | ± 10 % U_B constant level |
| Repetition accuracy | R ≤ 2 % from the end value (10 V), U_B and temperature at a constant level |
| min. Load resistance | R_{L2} 2 k Ω |
| Switching output | |
| switching element function | S PNP NO (teachable) |
| Hysteresis | H ≈ 10 % |
| Voltage drop | U_d $\leq 1,6$ V |
| Utilization category | DC 12 |
| Rated operational currents | I_e 200 mA |
| Minimum operating current | I_m 1 mA |
| Residual current | I_r < 0,1 mA |

| Mechanical data | |
|--|---|
| Enclosure | AL, die-cast |
| Protective guard (Accident protection cover UN) | AL, die-cast |
| Actuator | Foot lever (PA) |
| Ambient air temperature | -30° C ... +80° C |
| Operating force | ≈ 10 N (pedal centre) |
| Mechanical life | 10 x 10 ⁶ operating cycles |
| Switching frequency | max. 50 / min |
| Assembly | 2 x M8 |
| Connection | screw terminals (M3,5) |
| Number of connections | 8 |
| Conductor cross-sections | Solid: 0,5 ... 1,5 mm ² or Litz wire with ferrules: 0,5 ... 1,5 mm ² |
| Cable entrance | 1 x M20 x 1,5 |
| Weight | $\approx 2,6$ kg |
| Protection type | IP65 acc. to IEC/EN 60529 |

| Standards |
|------------------|
| EN 60947-5-7 |

| EU Conformity ¹⁾ |
|--|
| acc. to directive 2014/30/EU (EMC-Directive) |

Notes

The degree of protection specified (IP code) applies only to a properly closed cover and the use of an equivalent cable gland with adequate cable.

¹⁾To be conform with the EMV guideline (2014/30/EU) a shielded connection cable has to be used.