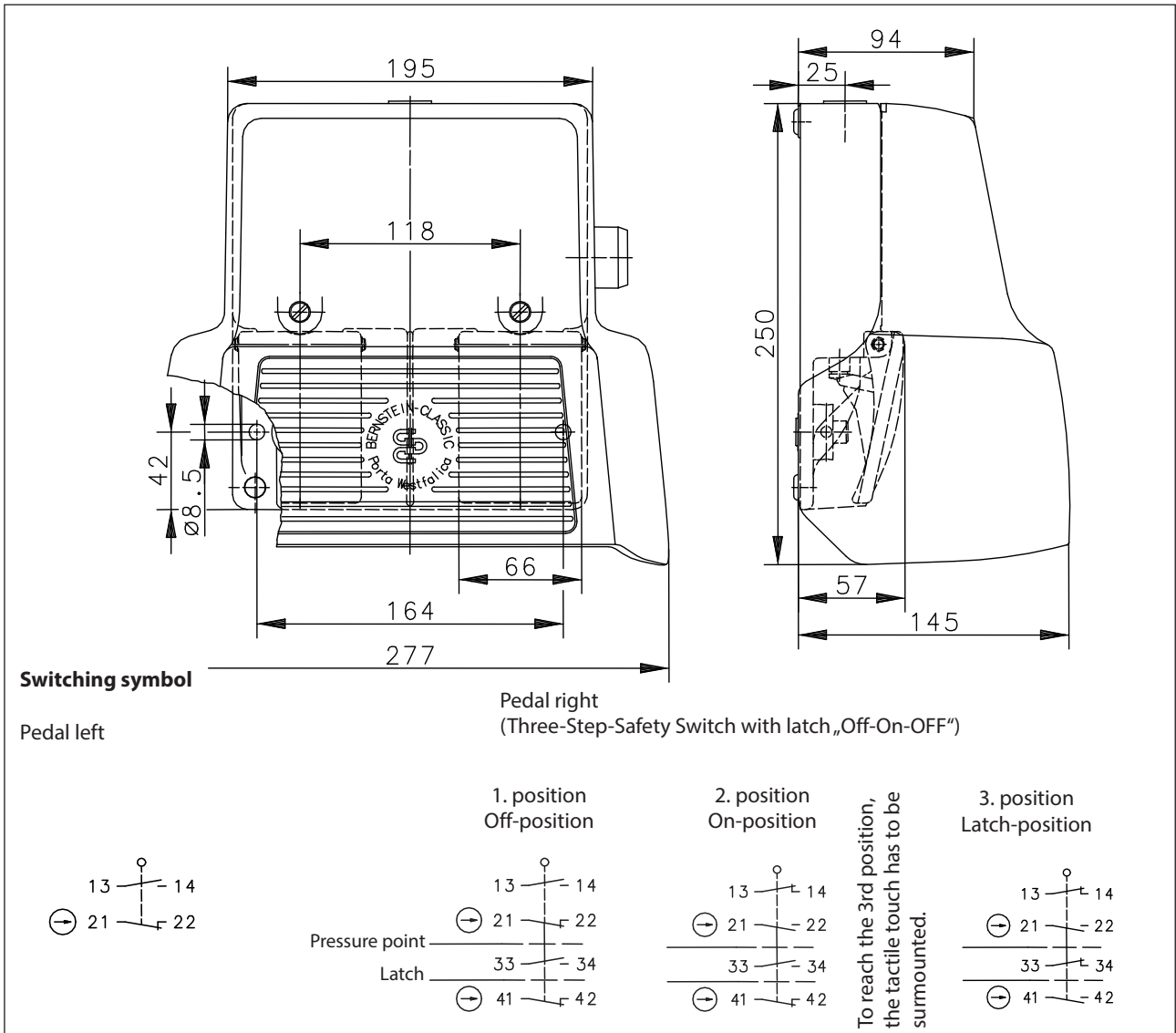


# Foot-switch Series F2 UN

Description **F2-SU1Z/SU1ZSU1ZDR UN**

Article number **6162000759**



Electrical Data		
Rated insulation voltage	$U_i$	400 V AC
Conv. thermal current	$I_{the}$	10 A
Rated operational voltage	$U_e$	240 V
Utilization category		AC-15, $U_e / I_e$ 240 V AC / 3 A
Direct opening action	$\rightarrow$	acc. to IEC/EN 60947-5-1, annex K
Short-circuit protective device		Fuse 2 A gG
Protection class		I

<b>Mechanical data</b>	
Enclosure	AL, die-cast
Protective guard (Accident protection cover UN)	AL, die-cast
Actuator	Foot lever (PA)
Ambient air temperature	-30 °C to +80 °C
Contact type	3 NC, 3 NO. (Zb)
Operating force (pedal centre)	10 N
Pressure point	≈ 200 N
Mechanical life	
Pedal left	10 x 10 <sup>6</sup> operating cycles
Pedal right	
Sequence of the switching position: Off, On, Off	10 x 10 <sup>6</sup> operating cycles
or: Off, On, Latch, Off	1 x 10 <sup>6</sup> operating cycles
Switching frequency	max. 50/min
Assembly	2 x M8
Connection	screw connections (M3,5)
Number of connection	12
Protection ground	2 x M4
Conductor cross-sections	Solid: 0,5 ... 1,5 mm <sup>2</sup> Litz wire with ferrules: 0,5 ... 1,5 mm <sup>2</sup>
Cable entrance	1 x M20 x 1,5
Weight	≈ 3,0 kg
Protection type	IP65 in accordance with IEC/EN 60529

<b>ID for safety engineering</b>	
B10d	20 x 10 <sup>6</sup> operating cycles

<b>Regulations</b>	
	VDE 0660 T100, DIN EN 60947-1, IEC 60947-1
	VDE 0660 T200, DIN EN 60947-5-1, IEC 60947-5-1
	DIN EN ISO 13849-1

<b>EU Conformity</b>	
	acc. to directive 2006/42/EG

<b>Approvals</b>	
	cCSA <sub>US</sub> A300 (same polarity)

<b>Notes</b>	
The specified protection classification (IP code) applies only when the cover is closed and the appropriate cable is used, in accordance with the clamping range of the above mentioned cable gland.	