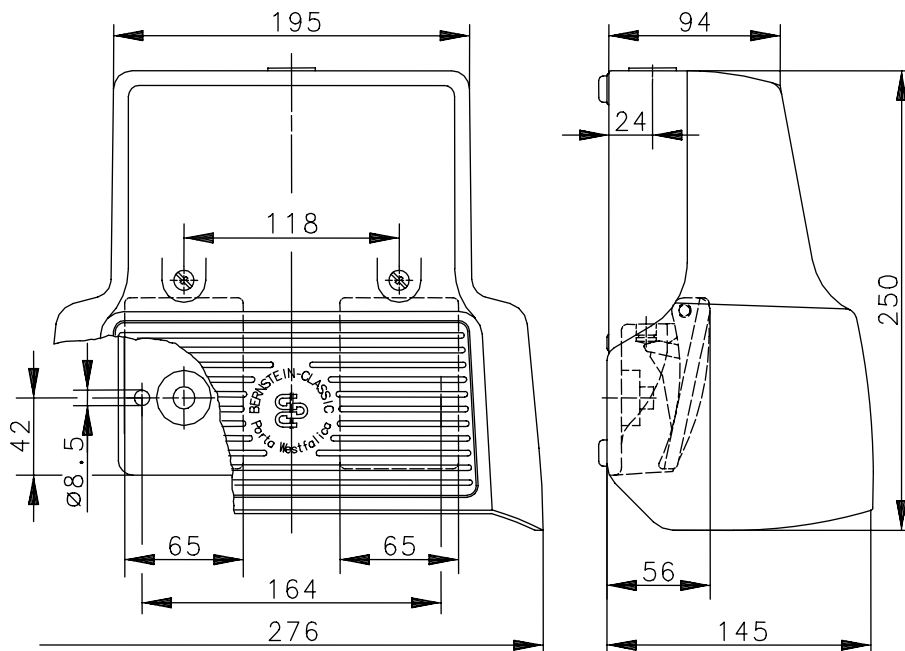


### Series F2 UN

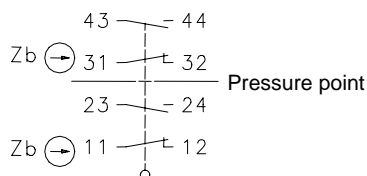
Description **F2-U2ZD/SU1ZUV1ZD UN**

Article number **6162000628**

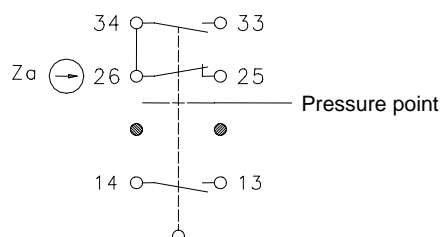


Switching symbol

Pedal left



Pedal right



### Electrical data

Rated insulation voltage	$U_i$	400V AC
Conv. thermal current	$I_{the}$	10A
Rated operational voltage	$U_e$	240V
Utilization category		AC-15, $U_e/I_e$ 240V/3A
Direct opening action	$\rightarrow$	acc. to IEC/EN 60947-5-1, Annex K
Short-circuit protective device		Fuse 2A gL/gG
Protection class		I

This document will not become the contractual basis; the details included herein do not constitute any descriptions of expected conditions, so that warranties/claims for defects on account of possible variations of the actual qualities from the qualities described herein are explicitly excluded. All rights reserved. Specifications subject to change without notice!

Date of issue: 14.11.2006 / Page 1 of 2  
Document: 6162000628\_en / Status: 1 / 2768-06

### Mechanical data

Enclosure	AL, die-cast
Protective guard (Accident protection cover UN)	AL, die-cast
Actuator	Foot lever (PA)
Ambient air temperature	-30°C to +80°C
Contact type	3 N.C, 5 N.O. (Zb)
Mechanical life	10 x10 <sup>6</sup> operating cycles
Switching frequency	Max. 50/min
Assembly	2 x M8
Connection	screw connections (M3,5)
Number of connections	14
Protection ground	2 x M4
Conductor cross-sections	Solid: 0,5 – 1,5mm <sup>2</sup> Litz wire with or without ferrules: 0,5 – 1,5mm <sup>2</sup>
Cable entrance	1 x M20x1,5
Weight	Approx. 2,8kg
Protection type	IP65 in accordance with IEC/EN 60529

### Regulations

VDE 0660 T100, DIN EN 60947-1, IEC 60947-1  
VDE 0660 T200, DIN EN 60947-5-1, IEC 60947-5-1

### EU Conformity

CE

### Approvals

### Notes

The degree of protection specified (IP code) applies only to a properly closed protective guard and the use of an equivalent cable gland with adequate cable.