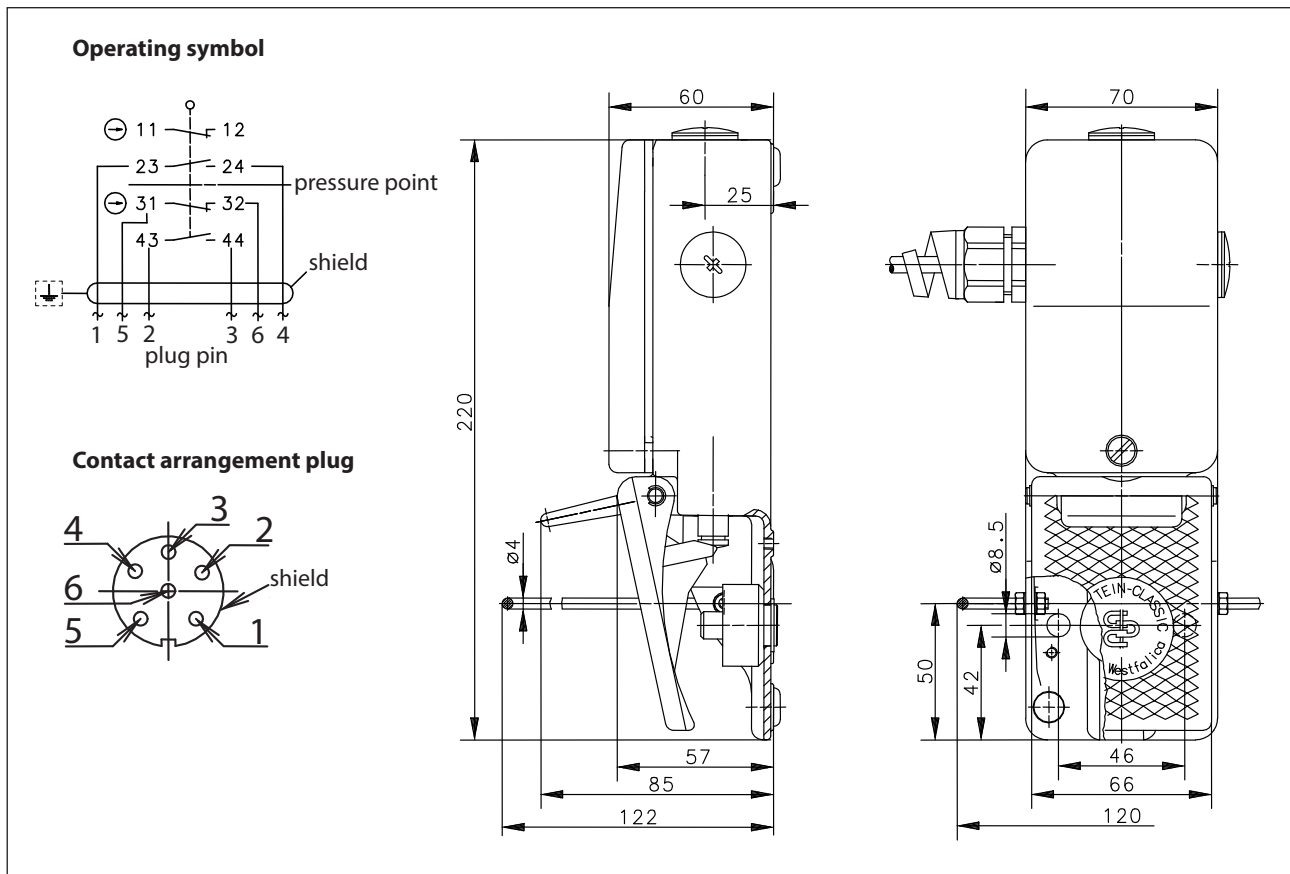


Foot-switch Series F1

Description **F1-U2ZD TB**

Article number **6161400668**



Electrical data

Conv. thermal current	I_{the}	5 A
Rated operational voltage	U_e	50 V
Utilization category		AC-15, U_e 50 V / I_e 2,5 A
Direct opening action	\ominus	acc. to IEC/EN 60947-5-1, Annex K
Short-circuit protective device		Fuse 2 A gG
Protection class		III (safety extra-low voltage)

Mechanical Data		
Enclosure		AL, die-cast
Cover		AL, die-cast (RAL 7011, iron grey)
Actuator		Foot lever (PA)
Ambient air temperature		-30 °C ... +80 °C
Contact type		2 N.C. / 2 N.O. (Zb)
Operating force		≈ 10 N (pedal centre)
Pressure point		15 N ± 10 % (pedal centre)
Mechanical life		
without actuating the pressure point foot-switch		10 x 10 ⁶ switching cycles
with actuating the pressure point foot-switch		1 x 10 ⁶ switching cycles
plug		≥ 500 plug-in cycles
Switching frequency		≤ 50/min
Assembly		2 x M8
Cable		7 x 0,25 mm ² x 3 m ±5 %, PUR-Outer jacket
Plug		Amphenol (C091A 6-pole; T3400002)
Protection ground (only functional earth)		connected to the shield of the cable and the plug
Cable entry size		1 x cable gland, 2 x M20 x 1,5
Weight including cover		≈ 1,2 kg
Protection type	Enclosure	IP 65 acc. to IEC/EN 60529
	Plug	IP 40 (in fully locked position) acc.to IEC/EN 60529

Standards	
	VDE 0660 T100, DIN EN 60947-1, IEC 60947-1
	VDE 0660 T200, DIN EN 60947-5-1, IEC 60947-5-1

EU Conformity	
	acc. to directive 2014/35/EU

Notes	
The degree of protection specified (IP code) applies only to a properly closed cover and the use of an equivalent cable gland with adequate cable or to the plug matching mounted counterpart.	