

Technical Data

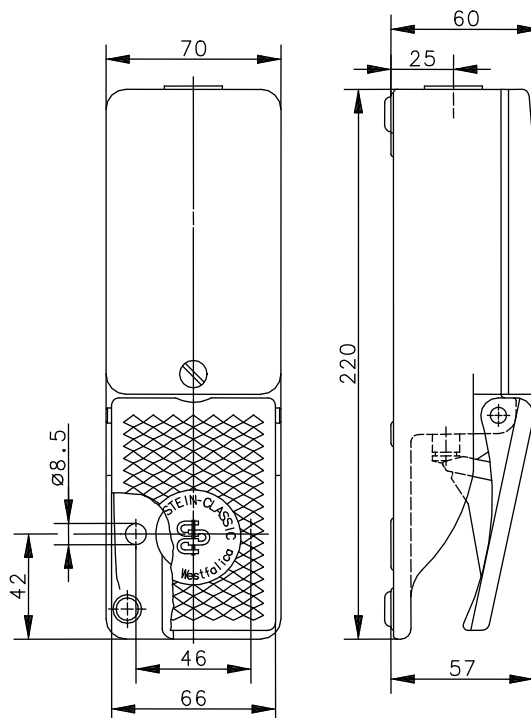
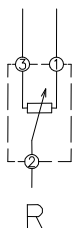
Foot-switch

Series F1

Description **F1-RG 2K0,5W**

Article number **6161300654**

Wiring diagram



Electrical data

Load	P	0,5 W / 40 °C
Max. enduring current	U	$U_{\max} = \sqrt{P \times R}$
Sliding contact current	$I_{\max.}$	0,1 mA
Connection resistance	R_{Start}	$\leq 20 \Omega$
	R_{End}	2 k Ω +30 % / -10 %

Recommended operating voltage

Operating voltage	U_e	≤ 24 V
Sliding contact current	I	< 0,1 μ A

Protection class I (referred to the complete foot-switch)

This document will not become the contractual basis; the details included herein do not constitute any descriptions of expected conditions, so that warranties/claims for defects on account of possible variations of the actual qualities from the qualities described herein are explicitly excluded. All rights reserved. Specifications subject to change without notice!

Date of issue: 24.05.2013 / Page 1 of 2
Document: 6161300654_en.doc / Status: 1 / 2402-13

Technical Data

Foot-switch

Mechanical data

Enclosure	AL
Cover	AL
Actuator	Foot lever (PA)
Ambient air temperature	-25 °C ... +80 °C
Operating force	Approx. 10 N (pedal centre)
Life	500000 cycles
Assembly	2 x M8
Connection	Solder connections
Number of connections	3
Protection ground	2 x M4
Conductor cross-sections	Solid: $\leq 1 \text{ mm}^2$ Litz wire with or without ferrules: $\leq 1 \text{ mm}^2$
Cable entrance	1 x M20x1,5
Weight	Approx. 0,48 kg
Protection type	IP65 in accordance with IEC/EN 60529

Regulations

DIN EN 60947-1, IEC 60947-1

Notes

The degree of protection (IP code) specified applies solely to a properly closed cover and the use of an at least equivalent cable gland.