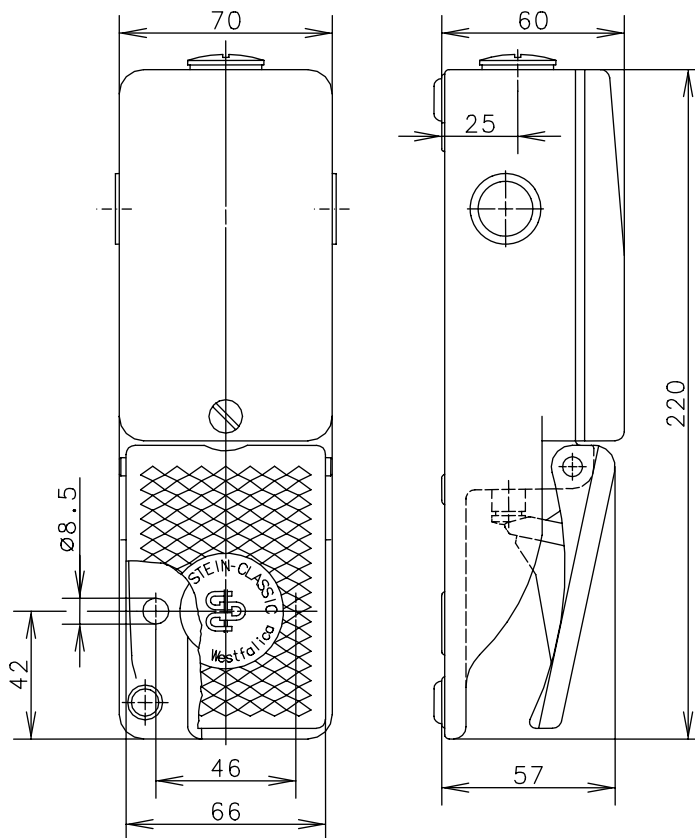
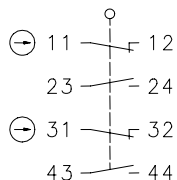


Series F1

Description **F1-U2Z**

Article number **6161200614**

Switching symbol



Electrical data

Rated insulation voltage	U_i	400 VAC
Conv. thermal current	I_{the}	10A
Rated operational voltage	U_e	240V
Utilization category		AC-15, U_e/I_e 240V / 3A
Positive opening NC contact	\ominus	acc. to IEC/EN 60947-5-1, Annex K
Short-circuit protective device		Fuse 10A gL/gG
Protection class		I

This document will not become the contractual basis; the details included herein do not constitute any descriptions of expected conditions, so that warranties/claims for defects on account of possible variations of the actual qualities from the qualities described herein are explicitly excluded. All rights reserved. Specifications subject to change without notice!

Date of issue: 10.06.2008 / Page 1 of 2
Document: 6161200614_en.doc / Last update: 2 / 2334-08

Mechanical data	
Enclosure	AL, die-cast
Cover	AL, die-cast
Actuator	Foot lever (PA)
Ambient air temperature	-30°C ... +80°C
Contact type	2 N.C., 2 N.O. (Zb)
Operating force	approx. 10N (pedal centre)
Mechanical life	10 x10 ⁶ operating cycles
Switching frequency	Max. 50/min
Assembly	2 x M8
Connection	screw connections M3,5
Number of connections	8 (see switching symbol)
Protection ground	2 x M4
Conductor cross-sections	Solid: 0,5 – 1,5mm ² Litz wire with or without ferrules: 0,5 – 1,5mm ²
Cable entrance	3 x M20x1,5
Weight	approx. 0,6 kg
Protection type	IP65 acc. to IEC/EN 60529
Standards	VDE 0660 T100, DIN EN 60947-1, IEC 60947-1 VDE 0660 T200, DIN EN 60947-5-1, IEC 60947-5-1
EU Conformity	CE
Approvals	BG cCSA _{US} A300, Q300 (same polarity)

Notes

Tapped holes not in use must be closed with blind plugs. The degree of protection (IP code) specified applies only to a properly closed cover and in connection with the appropriate cable glands or blind plugs.