

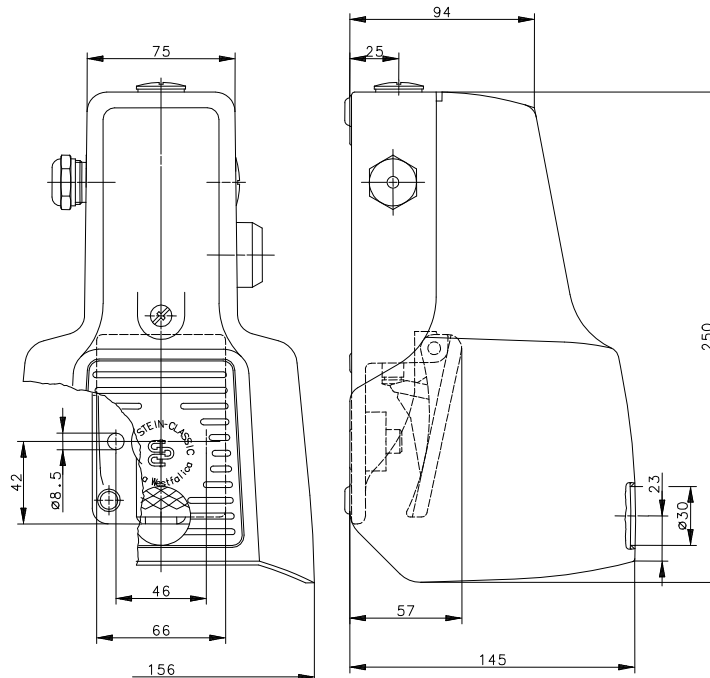
# Technical Data

## Foot-switch

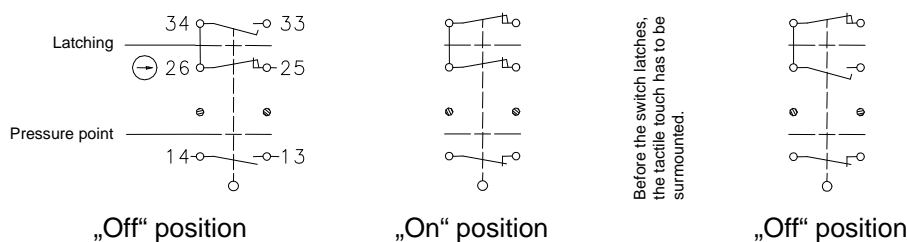
### Series F1 UN

Description **F1-SU1ZUV1ZDR UN**

Article number **6161000502**



### Switching symbols



### Electrical data

Rated insulation voltage	$U_i$	400 V AC
Conv. thermal current	$I_{the}$	10 A
Rated operational voltage	$U_e$	240 V
Utilization category		AC-15, $U_e/I_e$ 240 V / 3 A
Direct opening action	⊖	acc. to IEC/EN 60947-5-1, Annex K
Short-circuit protective device		Fuse 2 A gG
Protection class		I

This document will not become the contractual basis; the details included herein do not constitute any descriptions of expected conditions, so that warranties/claims for defects on account of possible variations of the actual qualities from the qualities described herein are explicitly excluded. All rights reserved. Specifications subject to change without notice!

Date of issue: 04.12.2012 / Page 1 of 2  
 Document: 6161000502\_en / Status: 2 / 2522-12

Mechanical data	
Enclosure	AL, die-cast
Protective guard (Accident protection cover UN)	AL, die-cast
Actuator	Foot lever (PA)
Ambient air temperature	-30 °C to +80 °C
Contact type	1 N.C, 2 N.O. (Zb)
Shifting force	approx. 10 N (pedal centre)
Pressure point	approx. 200 N
Mechanical life	1 x 10 <sup>6</sup> operating cycles
Switching frequency	max. 50/min
Assembly	2 x M8
Connection	screw terminals (M3.5)
Number of connections	6 (see switching symbols)
Protection ground	2 x M4
Conductor cross-sections	Solid: 0.5 ... 1.5 mm <sup>2</sup> Litz wire with ferrules: 0.5 ... 1.5 mm <sup>2</sup>
Cable entrance	3 x M20 x 1,5 ( 2 x blind cap, 1 x cable gland (clamping range 6 – 12 mm))
Weight	approx. 1,5 kg
Protection type	IP65 in accordance with IEC/EN 60529

ID for safety engineering	
B10d	2 x 10 <sup>6</sup> switching cycles

Regulations	
	VDE 0660 T100, DIN EN 60947-1, IEC 60947-1 VDE 0660 T200, DIN EN 60947-5-1, IEC 60947-5-1

EU Conformity	
	acc. to directive 2006/42/EC

Approvals	
	DGUV cCSA <sub>US</sub> A300 (same polarity) CCC

### Safety function (Foot lever) – left pedal

Three stage safety footswitch with latch  
The safety footswitch contacts are wired in series, this allows normal machine operation with the advantage of a safety latched „Emergency stop“ if the pedal is fully depressed.

1. Rest-Machine stopped.
2. Machine start is enabled by depressing pedal to the pressure point, this closed the normally open contacts 13 – 14 and 33 – 34.
3. In an emergency, the pedal is fully depressed (beyond the pressure point). The normally closed contact 25 – 6 is force disconnected stopping the machine, simultaneously the latch engages and holds the contacts 13 – 14 and 33 - 34 in this “Emergency stop” status, preventing an unauthorised re-start of the machine.  
„Safety for man and machine“
4. Only after releasing the latch, by pressing the push button mounted in the side of the footswitch body, do the contacts reset allowing normal operation to resume.

### Notes

The specified protection classification (IP code) applies only when the cover is closed and the appropriate cable is used, in accordance with the clamping range of the above mentioned cable gland.

This document will not become the contractual basis; the details included herein do not constitute any descriptions of expected conditions, so that warranties/claims for defects on account of possible variations of the actual qualities from the qualities described herein are explicitly excluded. All rights reserved. Specifications subject to change without notice!

Date of issue: 04.12.2012 / Page 2 of 2  
Document: 6161000502\_en / Status: 2 / 2522-12