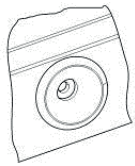


Foot-switch Series MF2

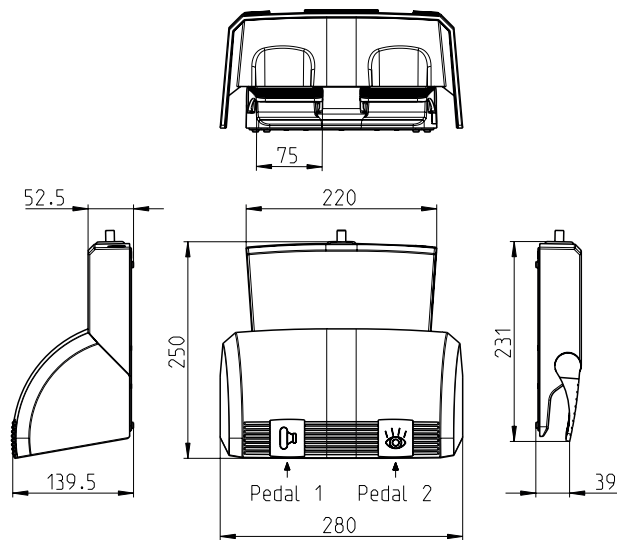
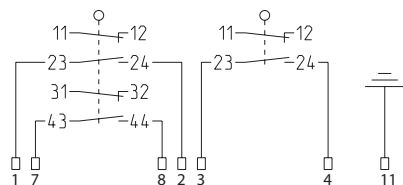
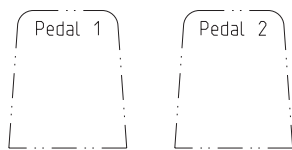
Description **MF2-101-100-ISUN-0**

Article number **6160200016**

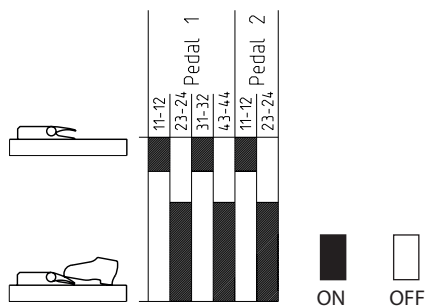
I-Cable gland
Typ inside



Switching symbol



Operating diagramme




Electrical Data	
Rated operational voltage	$U_e \leq 30 \text{ V DC}$
Rated operational current	$I_e \leq 0,5 \text{ A}$
Direct opening action	⊙ acc. to IEC/EN 60947-5-1, Annex K (pedal stop)
Protection class	I

Mechanical data	
Enclosure	AL, die-cast (powder-coated), Pantone Cool Gray 2c
Cover	AL, die-cast (powder-coated), Pantone Cool Gray 2c
Actuator	2 Pedals (Thermoplastic), RAL 7036 platinum grey
Ambient air temperature	$t = \infty$ $-10 \text{ °C} \leq T \leq +80 \text{ °C}$ $t \leq 2 \text{ h (cleaning)}$ $-10 \text{ °C} \leq T \leq +95 \text{ °C}$
Normal use condition	temperature $+10 \text{ °C} \leq T \leq +40 \text{ °C}$ air humidity 5 % ... 95 % - no condensation atmospheric pressure 700 hPa ... 1060 hPa
Storage and transport condition	temperature $-20 \text{ °C} \leq T \leq +80 \text{ °C}$ air humidity 5 % ... 95 % - no condensation atmospheric pressure 700 hPa ... 1060 hPa
Contact type	pedal 1: 2 Changover (slow action) pedal 2: 1 Changover (slow action)
Operating force (pedal centre)	$15 \text{ N} \pm 10 \%$
Mechanical life	$> 1 \times 10^6$ operating cycles
Switching frequency	max. 50/min
Connection	cabel $2,5 \text{ m} \pm 5 \%$ with 15-pole SUB-D connector
Protection ground	2 x M4
Conductor cross-sections	Solid: $0,5 - 1,5 \text{ mm}^2$ Wire with ferrules: $0,5 - 1,5 \text{ mm}^2$
Cable entrance	1 x cable gland inside M20 x 1,5 (clamp-range 7 – 12 mm)
Weight	$\approx 3,5 \text{ kg}$
Protection type	IPX8 acc. to IEC/EN 60529 (0,15 bar / 1 h)

ID for safety engineering	
B10d	2×10^6 cycles

Standards	
	VDE 0660 T100, DIN EN 60947-1, IEC 60947-1
	VDE 0660 T200, DIN EN 60947-5-1, IEC 60947-5-1
	IEC 60601-1
	UL 60601-1
	DIN EN ISO 13849-1

EU Conformity	
	acc. to directive 2006/42/EC (Safety-of-Machinery-Directive)

Approvals	
Only if approved components are used	
Test	
AP	
Notes	
<p>The degree of protection specified (IP code) applies only to a properly closed cover and the use of an equivalent cable gland with adequate cable.</p> <p>Selection of components and installation of the grounding equipment conductor must fulfil IEC 60601-1 / UL 60601-1 requirements.</p> <p>Additional label with serial number.</p>	