

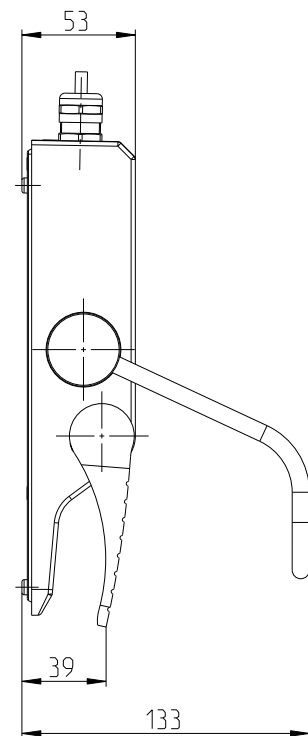
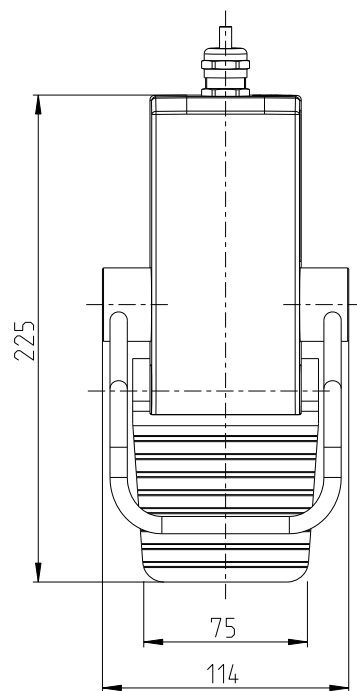
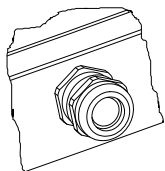
Foot-switch

Series MF1

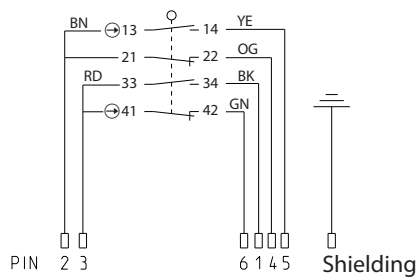
Description **MF1-505-AL-99**

Article number **6160100011**

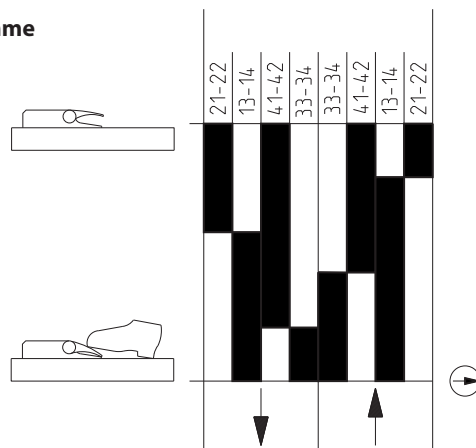
A - External cable gland



Switching symbol



Operating diagramme




Electrical Data		
Rated operational voltage	U_e	$\leq 30 \text{ V DC}$
Rated operational current	I_e	$\leq 0,5 \text{ A}$
Direct opening action	\rightarrow	acc. to IEC/EN 60947-5-1, annex K
Protection class		I

Mechanical data		
Enclosure		AL, die-cast (powder-coated), Pantone Cool Gray 2c
Cover		AL, die-cast (powder-coated), Pantone Cool Gray 2c
Carrier handle		Stainless steel
Actuator		1 Pedale (Thermoplastic), Platingrau
Ambient air temperature	$t = \infty$	$-10 \text{ }^\circ\text{C} \leq T \leq +80 \text{ }^\circ\text{C}$
	$t \leq 2 \text{ h (cleaning)}$	$-10 \text{ }^\circ\text{C} \leq T \leq +95 \text{ }^\circ\text{C}$
Normal use condition	temperature	$+10 \text{ }^\circ\text{C} \leq T \leq +40 \text{ }^\circ\text{C}$
	air humidity	5 % ... 95 % - no condensation
	atmospheric pressure	700 hPa ... 1060 hPa
Storage and transport condition	temperature	$-20 \text{ }^\circ\text{C} \leq T \leq +80 \text{ }^\circ\text{C}$
	air humidity	5 % ... 95 % - no condensation
	atmospheric pressure	700 hPa ... 1060 hPa
Contact type		2 Changover (Zb)
Operating force (pedal centre)		$15 \text{ N} \pm 10 \%$
Mechanical life		$> 1 \times 10^6$ operating cycles
Switching frequency		max. 50/min
Connection		screw terminals
Conductor cross-sections		Solid: 0,5 – 1,5 mm ²
		Litz wire with ferrules: 0,5 – 1,5 mm ²
Protective conductor terminal		2 x M4
Cable entrance		1 x cable gland M16 x 1,5, (clamp-range 5 - 7 mm)
		Cable 3 m $\pm 5 \%$ with Lemo-plug (FGG.1B.308.CLAD62)
		Shield at cable gland and plug disposed
Weight		$\approx 0,8 \text{ kg}$
Protection type		IPX8 acc. to IEC/EN 60529 (0,15 bar / 1 h)

ID for safety engineering	
B10d	2×10^6 operating cycles

Regulations	
	VDE 0660 T100, DIN EN 60947-1, IEC 60947-1
	VDE 0660 T200, DIN EN 60947-5-1, IEC 60947-5-1
	IEC 60601-1
	UL 60601-1
	DIN EN ISO 13849-1

EU Conformity	
	acc. to directive 2006/42/EC

Approvals	
Only if approved components are used.	
Test	
AP	
Notes	
<p>The specified protection classification (IP code) applies only when the cover is closed and the appropriate cable is used, in accordance with the clamping range of the above mentioned cable gland. Selection of components and installation of the grounding equipment conductor must fulfil IEC 60601-1 / UL 60601-1 requirements.</p>	