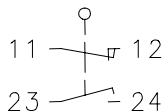


### Series D

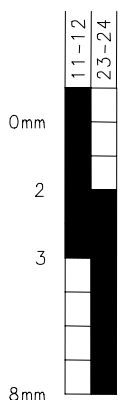
Description **D-UV11 RW HITZE**



Article number **6142318266**

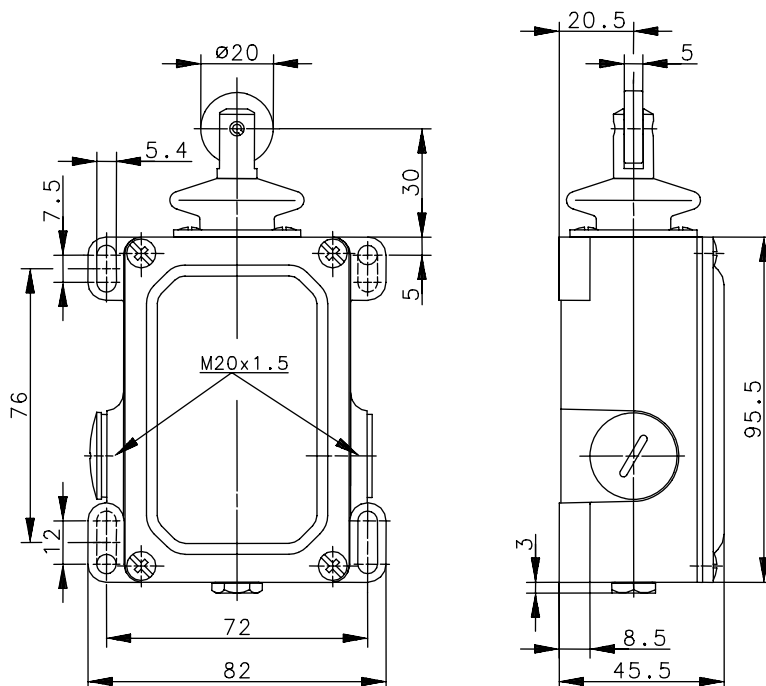
Operating symbol



Operating diagram





 Tolerances  
 Operating point:  $\pm 0.25\text{mm}$ ;  
 Actuating force:  $\pm 10\%$



### Electrical data

Rated insulation voltage	$U_i$	400 VAC
Conv. thermal current	$I_{the}$	10A
Rated operational voltage	$U_e$	240V
Utilization category		AC-15, $U_e/I_e$ 230V/3A
Short-circuit protective device		Fuse 10A gL/gG
Protection class		I

This document will not become the contractual basis; the details included herein do not constitute any descriptions of expected conditions, so that warranties/claims for defects on account of possible variations of the actual qualities from the qualities described herein are explicitly excluded. All rights reserved. Specifications subject to change without notice!

Date of issue: 22.05.2006 / Page 1 of 2  
 Document: 6142318266\_en.doc / Last update: 1 / 2398-06

### Mechanical data

Enclosure	Die-cast aluminium
Cover	Sheet aluminium
Actuator	Plunger with roller (st)
Ambient air temperature	-30°C ... +120°C
Contact type	1 NC, 1 NO
Mechanical life	10 x 10 <sup>6</sup> operating cycles
Switching frequency	≤ 100 / min.
Assembly	4 x M5
Connection	4 screw terminals (M4)
Conductor cross-sections	Solid: 0.5 ... 1.5mm <sup>2</sup> Litz wire with ferrules: 0.5 ... 1.5mm <sup>2</sup>
Cable entrance	2 x M20x1.5
Weight	≈ 0.43 kg
Installation position	Operator definable
Protection type	IP65 acc. to IEC/EN 60529

### Actuation

By loosening the 4 screws the actuation assembly can be rotated in 90 degree increments such that 4 actuation directions are possible. The actuation assembly is to be again fastened to the housing using the 4 screws.

### Standards

VDE 0660 T100, DIN EN 60947-1, IEC 60947-1  
VDE 0660 T200, DIN EN 60947-5-1, IEC 60947-5-1

### EU Conformity

CE

### Approvals

cCSA<sub>US</sub> A300 (same polarity)

### Notes

The degree of protection specified (IP code) applies only to a properly closed cover and the use of an equivalent cable gland with adequate cable.