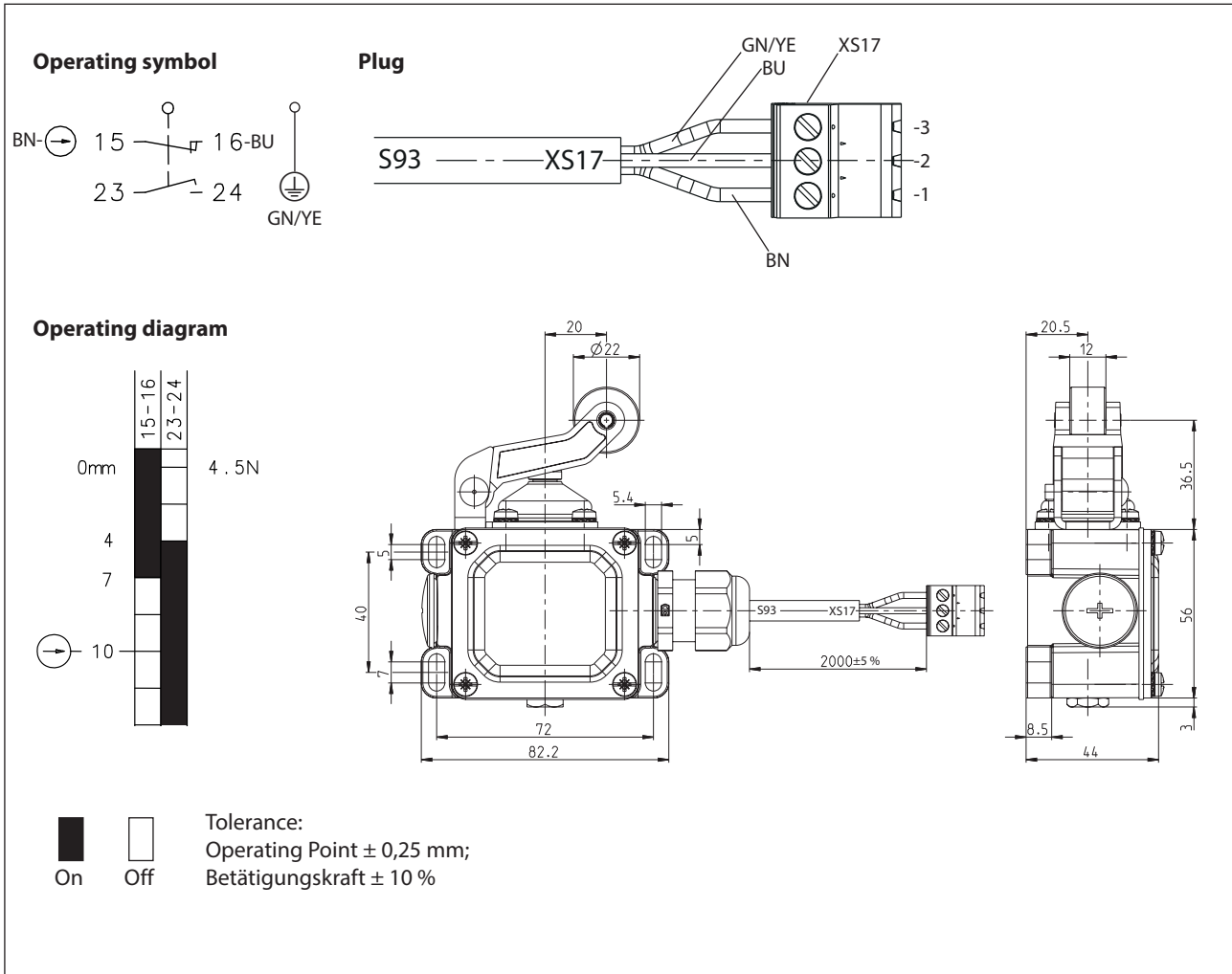


Metal bodied limit switch

Series D

Description **D-UV11Z HTW 180GR**

Article number **6141321791**



Electrical Data		
Rated insulation voltage	U_i	400 V AC
Conv. thermal current	I_{the}	16 A
Rated operational voltage	U_e	240 V
Utilization category		AC-15, U_e/I_e 240 V / 10 A
Direct opening action	\ominus	acc. to IEC/EN 60947-5-1, annex K
Short-circuit protective device		Fuse 16 A gG
Protection class		I

Mechanical data	
Enclosure	Die-cast aluminium
Cover	Sheet aluminium
Actuator	Lever with roller (steel)
Ambient air temperature	-30 °C ... +80 °C
Contact type	1 NC, 1 NO (Zb)
Mechanical life	10 x 10 ⁶ switching cycles
Switching frequency	≤ 100 / min.
Assembly	4 x M5
Connection	Conductor plate plug connector - IC 2,5/3-ST-5,08(Phoenix)
Cable	ÖLFLEX HEAT 180 SiHF 3G0,75 acc. to VDE 0293-308 (2000 mm ±5 %)
Cable entrance	1 x M20 x 1,5
Installation position	operator definable
Protection type	
Switch	IP65 acc. to IEC/EN 60529
mounted conductor plate plug connector	IP20 acc. to IEC/EN 60529

ID for safety engineering	
B10d	20 x 10 ⁶ switching cycles

Actuation
By loosening the 4 screws the actuation assembly can be rotated in 90 degree increments such that 4 actuation directions are possible. The actuation assembly is to be again fastened to the housing using the 4 screws.

Standards
VDE 0660 T100, DIN EN 60947-1, IEC 60947-1
VDE 0660 T200, DIN EN 60947-5-1, IEC 60947-5-1
DIN EN ISO 13849-1

EU Conformity
acc. to directive 2006/95/EC

Notes
The degree of protection (IP code) specified applies solely to a property closed cover and the mounted connector.