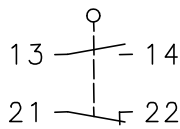


## Metal bodied limit switch Series SN2

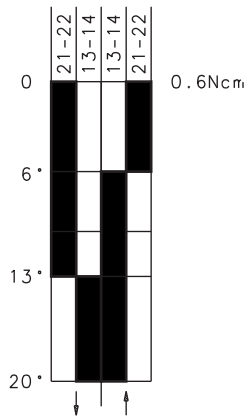
Description **SN2-SU1 FF**



Article number **6133190009**

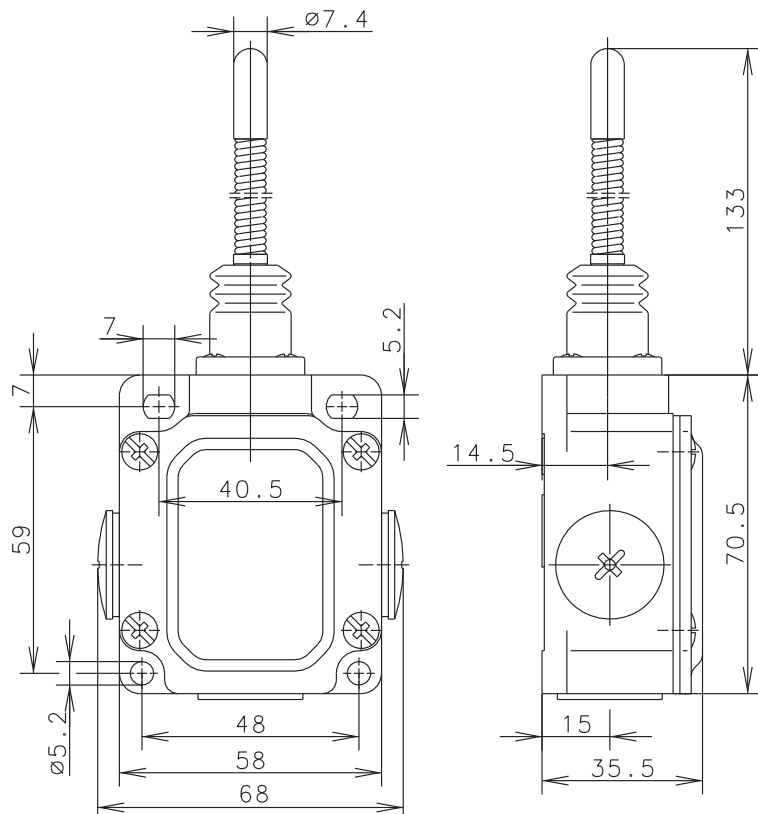
### Operating symbol



### Operating diagram



 ON   
  OFF   
 Tolerance:  
 Operating Point  $\pm 3,5^\circ$ ;  
 Operating force  $\pm 10\%$



### Electrical data

Rated operational voltage	$U_i$	400 V AC
Conv. thermal current	$I_{the}$	10 A
Rated operational voltage	$U_e$	240 V
Utilization category	AC-15, $U_e / I_e$ 240 V / 3 A	
Short-circuit protection device	Fuse 2 A gG	
Protection class	I	

Mechanical data	
Enclosure	Die-cast aluminium
Cover	Sheet aluminium
Actuator	Spring lever with plastic slide
Ambient air temperature	-30 °C ... +80 °C
Contact type	1 NC, 1 NO (Zb)
Mechanical life	10 x 10 <sup>6</sup> switching cycles
Switching frequency	≤ 100 / min.
Assembly	4 x M5
Connection	screw connections (M3,5)
Conductor cross-sections	Solid: 0,5 – 1,5 mm <sup>2</sup> Litz wire with or without ferrules: 0,5 – 1,5 mm <sup>2</sup>
Cable entrance	3 x M20 x 1,5
Weight	≈ 0,20 kg
Installation position	operator definable
Protection type	IP65 acc. to IEC/EN 60529

Actuation
The actuator can be approached from all directions with exception of the axial direction.

Standards
VDE 0660 T100, DIN EN 60947-1, IEC 60947-1
VDE 0660 T200, DIN EN 60947-5-1, IEC 60947-5-1

EU Conformity
UL
cCSA <sub>US</sub> A300 (same polarity)

Approvals
acc. to directive 2006/95/EC

Notes
The degree of protection specified (IP code) applies only to a properly closed cover and the use of an equivalent cable gland with adequate cable.