



# Bernstein

Bernstein AG  
Postfach 1164  
D-32437 Porta Westfalica

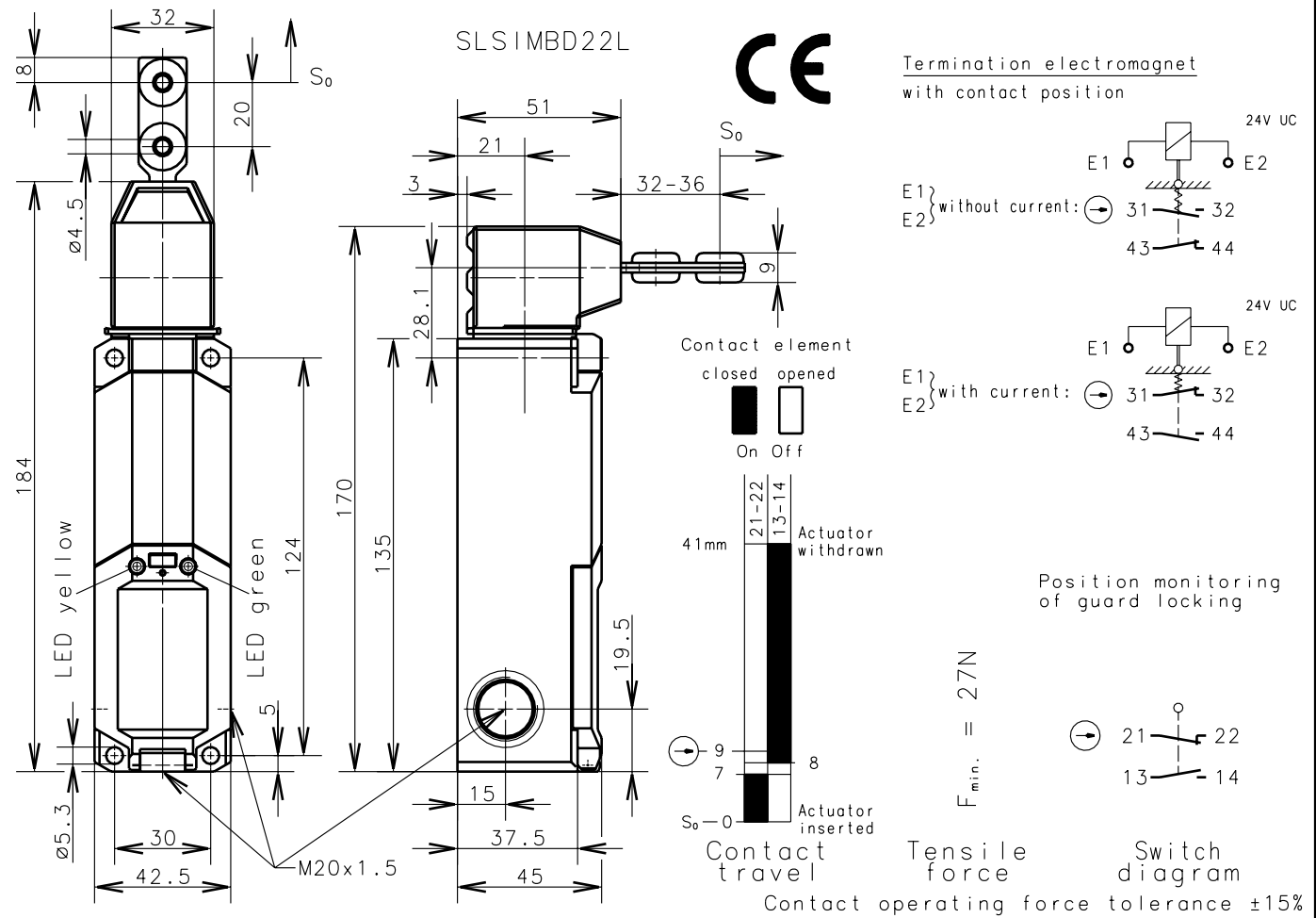
Technical data sheet: Safety switch

Plastic encapsulated, 3 x M20x1.5, Locked by magnetic force

Type: SLK-MVTU24UC-55-LX

Art.-No.: 611.8119.080

Date: 18.03.03



Schutzvermerk nach DIN 34 beachten  
Copyright reserved

| Mechanical features   | Electrical features  | Approvals:                           |
|---|--|--------------------------------------|
| Enclosure: PA 6 GV (UL94-V0)  | Contact elements   | UL                                   |
| Cover: PA 6 GV (UL94-V0)  | Rated insulation voltage U <sub>i</sub> : 250V   | CSA                                  |
| Actuating head: PA 6 GV/Zn-GD   | Utilisation categorie: AC 15 240V/1.5A   |                                      |
| Separated actuator: St/PA   | Thermal current: I <sub>th</sub> 10A   |                                      |
| Ambient air temperature: -13°F up to +158°F                                   | Short-circuit protection:<br>Fuse 10A gL,<br>IEC/EN 60947-5-1, appendix K  | Standards:                           |
| Contact type: 2NC; 2NO  | Electro magnets:   | VDE 0660 T100, EN 60947-1            |
| Switching principle: 4 slow make and break contact elements                   | Duty cycle: 100 % ED (at E1;E2)  | VDE 0660 T200, EN 60947-5-1          |
| Mechanical life: 1x10 <sup>6</sup> operations at max. 600 Switch operations/h | Temperature class: B (130°C)   | IEC 60947-5-1                        |
| Actuating radius: R=400mm min.  | Inrush power consumption: 56VA (0.2 s)   | GS-ET 19                             |
| Velocity for actuating: V=0.5m/s max.   | Permanent power consumption: 1.1VA   |                                      |
| Mounting: 4xM5 screws   | Switch operations<br>Permanent: max. 600/h   | Remarks:                             |
| Termination cross section: 1.5mm <sup>2</sup> flex. max.                      | Operating voltage: 24V AC/DC   | The rated protection class (IP-Code) |
| Terminals: cage tension spring  | Light indicators (green, yellow)   | is valid only at closed cover and    |
| Cable entry size: 3 x M20x1.5   |  | when using an at least equivalent    |
| Weight: approx. 0,30 kg   | Safety instructions  |                                      |
| Protection class (IP-Code): IP67  | <ul style="list-style-type: none"> <li>Do not use this safety switch as a mechanical end stop!</li> <li>In case that power is removed from the solenoid the safety switch will be no longer in a locked position. Operator can open the guard! Attention has to be given to the risks of the machine in this situation!</li> </ul> |                                      |
| Build in location: selectable   | <ul style="list-style-type: none"> <li>4 different actuating directions achievable by rotating the actuating head.</li> </ul>  |                                      |
| Interlocking principle: magnetic force  | <ul style="list-style-type: none"> <li>Changing between horizontal and vertical actuating direction by setting the actuating head in the requested direction.</li> </ul>   |                                      |
| Unlocking: spring force   |  |                                      |
| Hold on force: 2000N max. acc. to GS-ET 19 (see installation guide)           |  |                                      |
| Protected insulation  |  |                                      |