

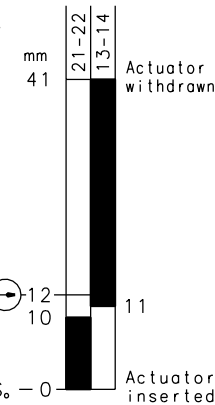
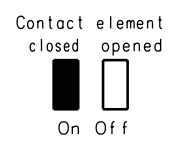
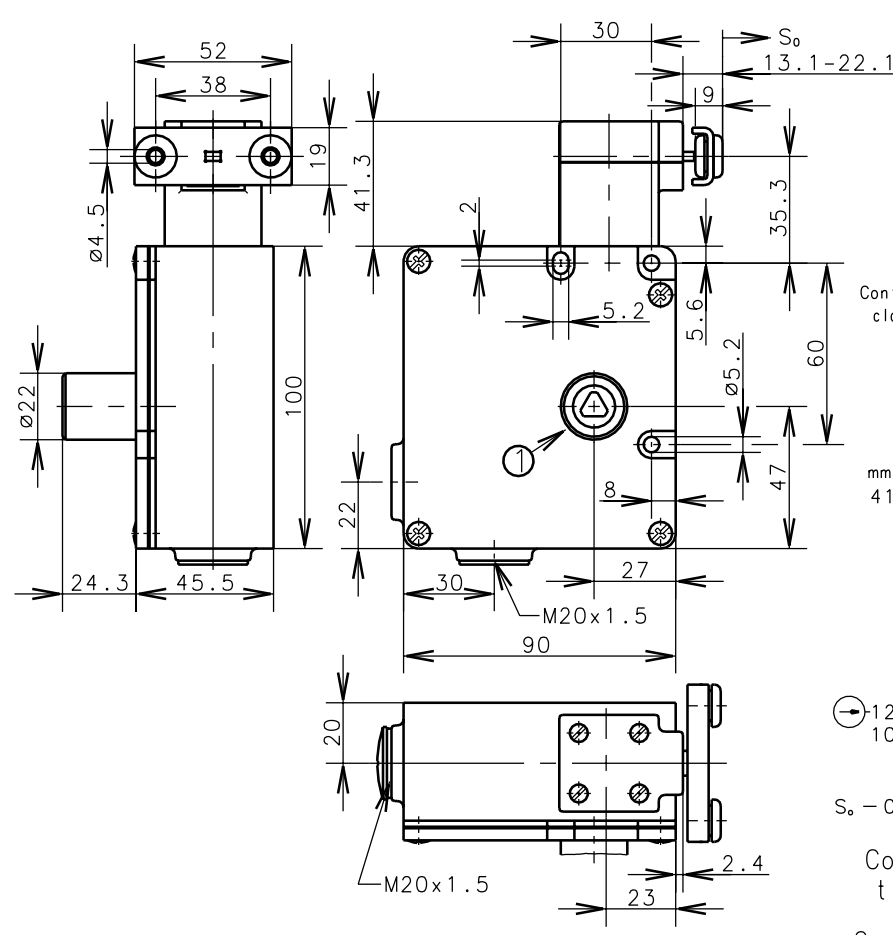


# Bernstein

Bernstein AG  
Postfach 1164  
D-32437 Porta Westfalica

Technical data sheet: Safety switch  
Metal encapsulated, 2 x M20x1.5, Locked by spring force

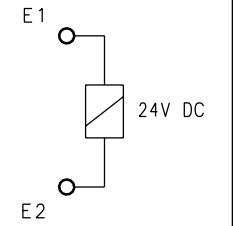
Type: SLM-FVTW24DC-51-KRX Art.-No.: 611.7119.025 Date: 26.09.01



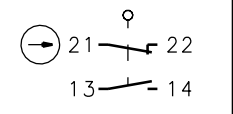
$F_{min.} = 30N$

Contact travel      Tensile force      Switch diagram  
Contact operating force tolerance  $\pm 15\%$

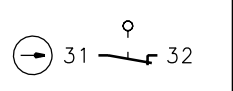
Termination electromagnet



Position monitoring of guard locking



Position monitoring of electromagnet



Schutzvermerk nach DIN 34 beachten  
Copyright reserved

Mechanical features:	Electrical features:	Approvals:
Enclosure: Al-GD	Contacts elements	CSA B300, R300
Cover: Al-sheet	Rated insulation voltage $U_i$ : 250V	UL B300, R300
Actuating head: Al-GD	Utilization categorie: AC 12 250 V/10 A	
Separated actuator: St/PA	Utilization categorie: AC 15 230 V/4 A	
Ambient air temperature: -30°C up to +60°C		
Contact type: 2NC; 1NO (Zb)		Standards:
Switching principle: 3 slow make and break contact elements	Short circuit protection: DIAZED-safety implants Operating categorie gL/gG 10A TDz, 16A Dz	VDE 0660 T100, EN 60947-1 VDE 0660 T200, EN 60947-5-1
Mechanical life: $1 \times 10^6$ switch operations	Electromagnet:	IEC 60947-5-1
Actuating radius: $R_{min.} = 400mm$	Duty cycle: 100 % ED	GS-ET 19
Velocity for actuating: $V_{max.} = 1.5m/s$	Temperature class: B	
Mounting according DIN EN 50041 3 screws M5	Power consumption: $P_{20} = 5.2W$	Remarks:
Termination cross section: $1mm^2$ flex.	Operating voltage: 24V DC	The rated protection class (IP-Code) is valid only at closed cover and when using an at least equivalent cable gland.
Terminals: 8 screws M3.5		
2 non-fused earthed conductor M4		
Cable entry size: 2 x M20x1.5	Safety instructions	
Weight: approx. 0,88 kg	<ul style="list-style-type: none"> <li>Do not use this safety switch as a mechanical end stop!</li> <li>When power is removed from the electromagnet (solenoid) the safety guard will be in locked position.</li> <li>Auxiliary release by turning the trihedron (see: detail 1) anti-clockwise.</li> <li>Four approach directions for actuator are available.</li> <li>Turning the actuator head (<math>4 \times 90^\circ</math>) only when the actuator is plugged in.</li> <li>The actuator head is to be again fastened reliable to the housing using all four screws!</li> <li>Pre-travel actuator (compensation of shock and vibrations) approx. 9 mm.</li> </ul>	
Protection class (IP-Code): IP67 according to EN 60529; DIN VDE 0470 T1		
Build in location: selectable		
Locking principle: spring force latching		
Unlocking: a) magnetic force b) auxiliary release (look at remarks)		
Locking force: 1750 N retaining force in locked position		