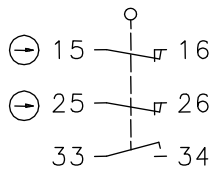


Safety switch Series SKI – with separate actuator

Description **SKI-UV15Z**

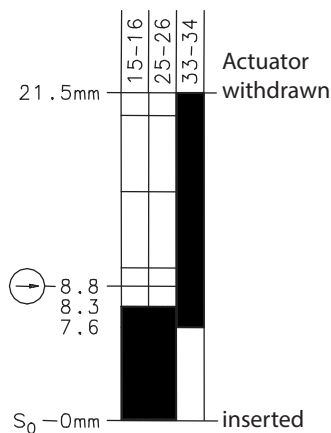
Article number **6116869252**

Operating symbol

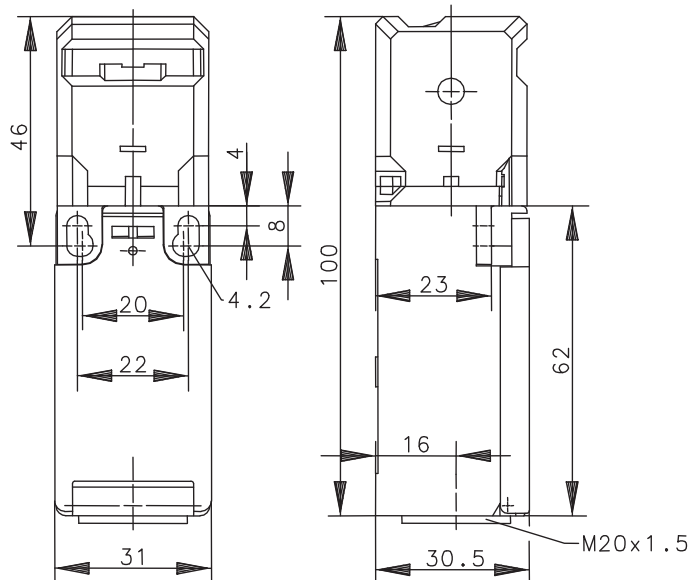
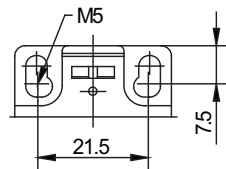


Fixed positioning for safety applications.
Mounting screw according to DIN 912 M5

Operating diagram



On Off Tolerance:
 Operating Point $\pm 0,25$ mm;
 Operating force ± 10 %



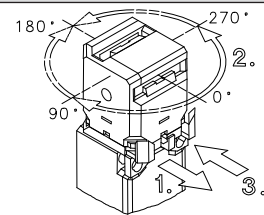
Electrical Data

Rated insulation voltage	U _i	250 V AC
Conv. thermal current	I _{the}	5 A
Utilization category		AC-15, U _e /I _e 240 V / 1,5 A
Direct opening action		acc. to IEC/EN 60947-5-1, annex K
Short-circuit protective device		Fuse 6 A gG
Protection class		II, totally insulated

Mechanical data	
Enclosure	Thermoplastic, glass fibre reinforced (UL 94-V0)
Cover	Thermoplastic, glass fibre reinforced (UL 94-V0)
Actuator	Separate actuator - is not included in the scope of delivery
Extraction force	10 N
Ambient air temperature	-30° C ... +80° C
Contact type	2 NC, 1 NO (Zb)
Mechanical life	1 x 10 ⁶ operating cycles
Switching frequency	≤ 30 / min.
Assembly Safety switch	2 x M4
Connection	6 screw connections (M3)
Conductor cross-sections	Solid: 0,5 ... 1,5 mm ² or Litz wire with ferrules: 0,5 ... 1,5 mm ²
Cable entrance	1 x M20 x 1,5
Weight	≈ 0,11 kg
Installation position	operator definable
Protection type	IP65 acc. to IEC/EN 60529

ID for safety engineering	
B10d	2 x 10 ⁶ switching cycles

Actuation	
To achieve the 8 different actuator points please follow the next instructions	
(1)	pull fixing clamp
(2)	turn actuator
(3)	push fixing clamp



Standards	
VDE 0660 T100, DIN EN 60947-1, IEC 60947-1	
VDE 0660 T200, DIN EN 60947-5-1, IEC 60947-5-1	
DIN EN ISO 13849-1	

EU Conformity	
acc. to directive 2006/42/EC	

Approvals	
cCSA _{US} B300 (same polarity)	

Notes

The degree of protection (IP code) specified applies solely to a properly closed cover and the use of an equivalent cable gland with adequate cable.
 The switch may not be used as a mechanical stop.
 Radial actuation may reduce the mechanical life.
 The min. radius refers to a pivot at the top of the cap (S0).
 Tapped holes not in use must be closed with blind plugs.

