



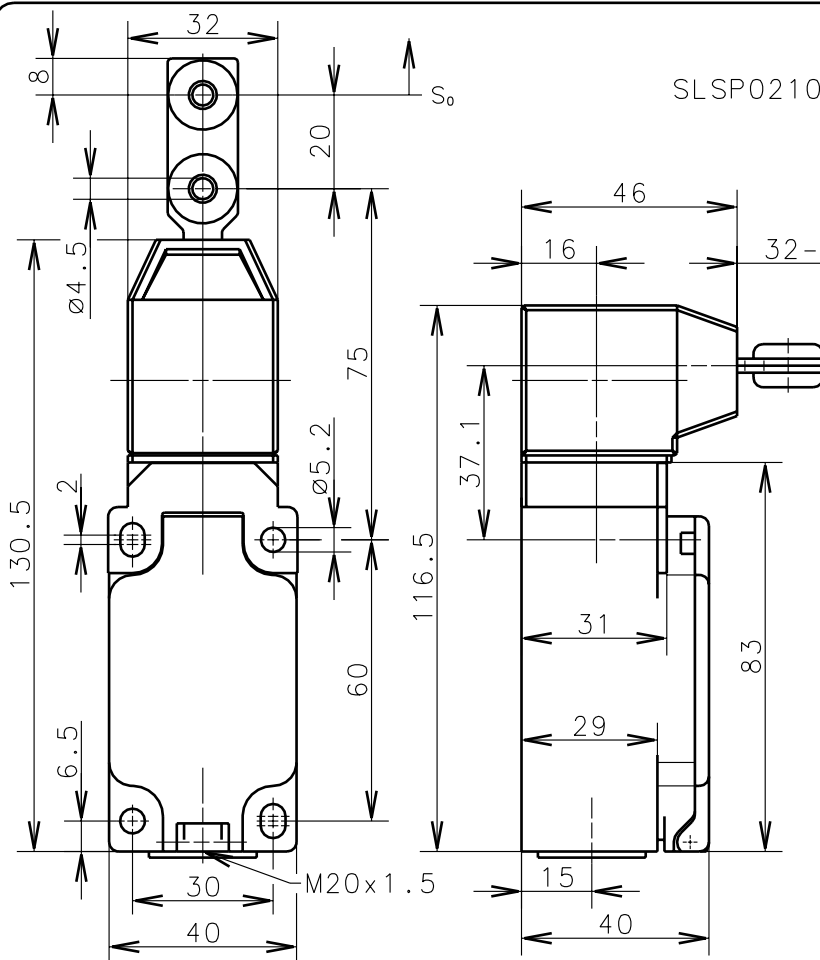
**Bernstein**

Bernstein AG  
Postfach 1164  
D-32437 Porta Westfalica

# Technical data sheet

ENK-UV15Z VTU

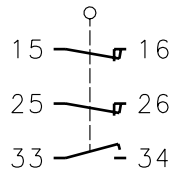
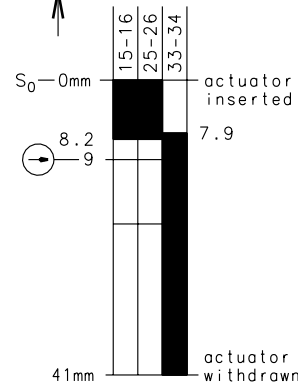
611.6669.138



SLSP0210



Positive opening operation according to DIN EN 60947-5-1 IEC 60947-5-1



Switching diagram

Switching symbol

Actuating force approx. 20N  
Tolerance: actuating force  $\pm 10\%$

Schutzvermerk nach DIN 34 beachten  
Copyright reserved

### Mechanical features

Enclosure:	Thermoplast, glass fibre reinforced
Cover:	Thermoplast, glass fibre reinforced
Actuator:	Separate actuator (St/PA), actuating head (PA6 GV/Zn-GD)

Ambient air temperature:	-30°C up to +80°C
Contact type:	2 NC-contacts, 1 NO-contact (Zb)

Mechanical life:	$1 \times 10^6$ switch operations
Switch frequency:	max. 30/min
Mounting:	4 x M5
Connection type:	6 screw connections (M3)
Conductor cross-section:	single core $1 \times 0.5-1.5 \text{ mm}^2$ / litz wire with connector sleeve $0.5-1.5 \text{ mm}^2$
Cable entry size:	1 x M20x1.5
Weight:	approx. 0,23 kg

### Electrical features

Rated insulation voltage:	$U_i = 400 \text{ V AC}$
Conventional thermal current:	$I_{the} = 6 \text{ A}$
Max. inrush current:	according to IEC 60947-5-1; AC 15, B300
Utilization categorie:	AC 15, B300, $U_e/I_e$ 240V/1.5A
Standards:	according to EN 60947-1; EN 60947-5-1
Protection class (IP-Code):	IP65 according to EN 60529, DIN VDE 0470 T1
Short-circuit protection:	Fuse 6A gL/gG, IEC/EN 60947-5-1, appendix K

### Remarks

Minimum actuating radius  $R_{min} = 400 \text{ mm}$ ; velocity for actuating  $V_{max} = 0.5 \text{ m/s}$ .  
Do not use this safety switch as a mechanical end stop.  
Eight different actuating directions achievable by rotating the actuating head in steps  $45^\circ$ .  
Changing between horizontal and vertical actuating direction by setting the actuating head in the requested direction.  
The rated protection class (IP-Code) is valid only at closed cover and when using an at least equivalent cable gland.

18.03.2003