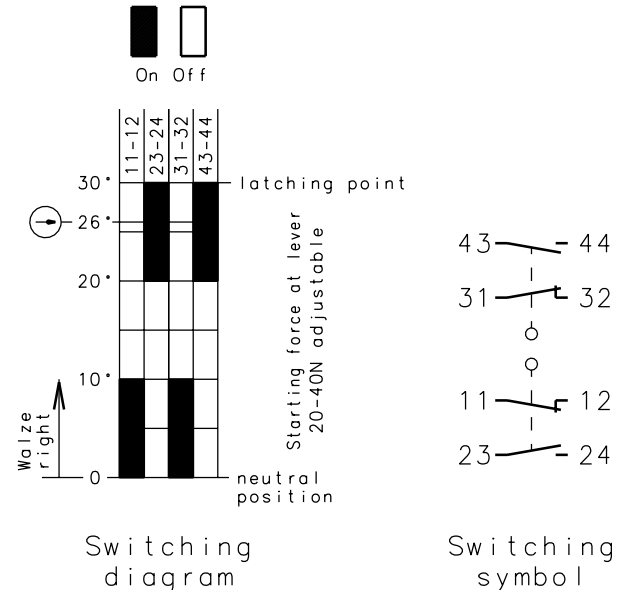
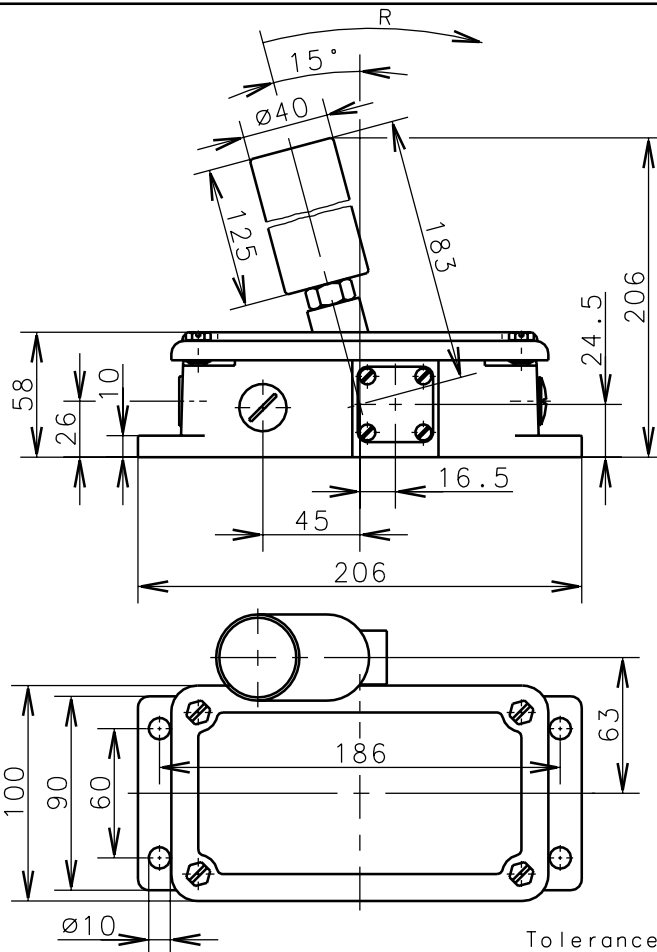


**Bernstein**Bernstein AG
Postfach 1164
D-32437 Porta Westfalica**Technical data sheet**

S2-U1Z AW

611.5736.056

Positive opening
operation according
to DIN EN 60947-5-1
IEC 60947-5-1Tolerance: operating point $\pm 3.5^\circ$; operating torque $\pm 10\%$ **Mechanical features**

Enclosure: Grey iron
 Cover: Grey iron
 Actuator: Rolling contact lever

Ambient air temperature: -30°C up to $+80^\circ\text{C}$
 Contact type: 2 NC-contacts, 2 NO-contacts (Zb)

Mechanical life: 2×10^6 switch operations
 Switch frequency: max. 10/min
 Mounting: 4 x M8
 Connection type: 8 screw connections (M3.5)
 Cable entry size: 3 x M20x1.5
 Weight: approx. 4,1 kg
 Latching device: -

Electrical features

Max. voltage: 500 V AC
 Max. enduring current: I_{the} 10A
 Max. inrush current: according to IEC 60947-5-1; AC 15, DC 13
 Standards: according to EN 60947-1; EN 60947-5-1
 Protection class (IP-Code): IP65 according to EN 60529; DIN VDE 0470 T1
 CSA: 10A 300V AC, A300 (same polarity)
 Short-circuit protection: Fuse 10A gL/gG, IEC/EN 60947-5-1, appendix K

Remarks

The moving parts should be oiled periodically.

The planned protection class (IP-Code) is valid only at closed cover and when using an at least equivalent cable gland.

Schutzvermerk nach DIN 34 beachten
Copyright reserved

18.04.2001