

Technical Data

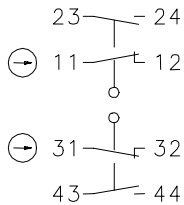
Rope pull switch

Series SI2

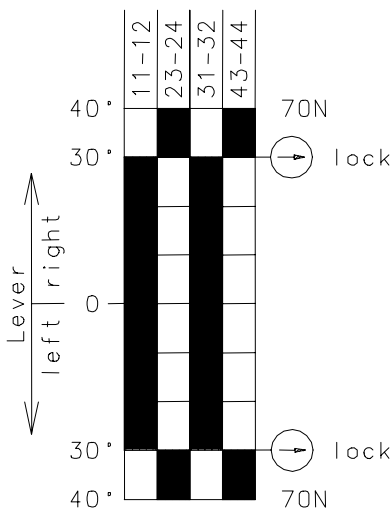
Description **SI2-U2Z AK R-RAST**



Article number **6115735165**

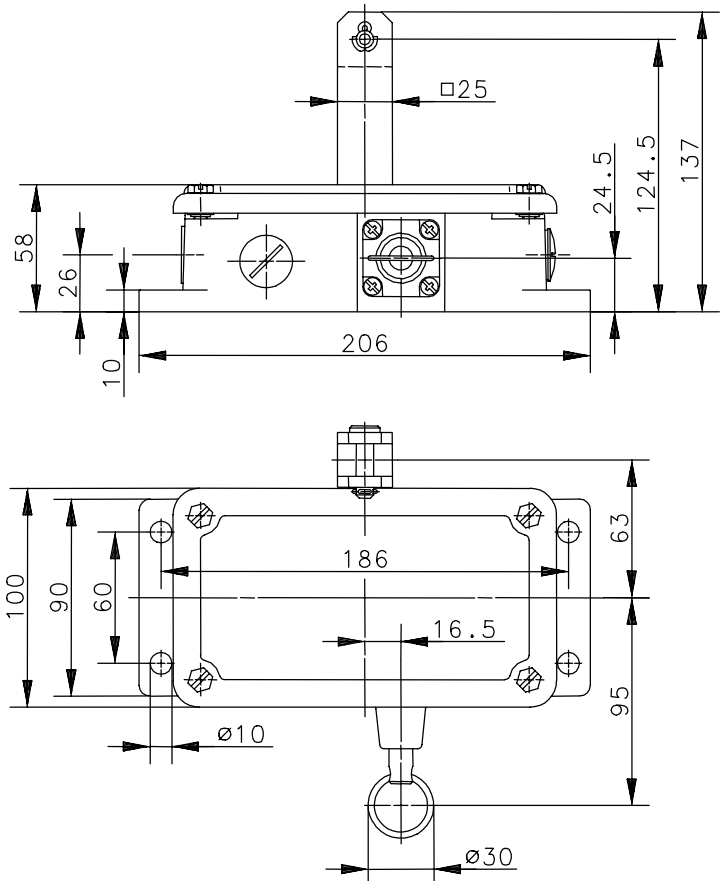
Operating symbol



Operating diagram



  Tolerance: operating point $\pm 5^\circ$
 actuating force $\pm 15\%$
 ON OFF Latching according to DIN EN 418



Electrical data

Rated insulation voltage	U_i	400 VAC
Conv. thermal current	I_{the}	10A
Rated operational voltage	U_e	240V
Utilization category		AC-15, U_e/I_e 240V/3A
Positive opening NC contact	\ominus	IEC/EN 60947-5-1
Short-circuit protective device		Fuse 10A gL/gG IEC/EN 60947-5-1, Annex K
Protection class		I

This document will not become the contractual basis; the details included herein do not constitute any descriptions of expected conditions, so that warranties/claims for defects on account of possible variations of the actual qualities from the qualities described herein are explicitly excluded. All rights reserved. Specifications subject to change without notice!

Date of issue: 01.09.2004 / Page 1 of 2
 Document: 6115735165_en / : 1 / Last update: 2462-04

Technical Data

Rope pull switch

Mechanical data	
Enclosure	Gray iron
Cover	Gray iron
Actuator	Lever (St)
Ambient air temperature	-30°C ... +80°C
Contact type	2 NC, 2 NO (Zb)
Reset facility	Rotate pulling the key-ring (≥ 50N)
Mechanical life	1 x 10 ⁶ operating cycles
Switching frequency	≤ 10 / min.
Assembly	4 x M8
Connection	8 screw terminals (M3,5)
Conductor cross-sections	Solid: 0.5 ... 1.5mm ² Litz wire with ferrules: 0.5 ... 1.5mm ²
Cable entrance	2 x M20x1.5
Reduction-ring	M20 / NPT-1/2"
Weight	≈ 3,8kg
Installation position	Operator definable
Protection type	IP65 acc. to IEC/EN 60529

Standards	VDE 0660 T100, DIN EN 60947-1, IEC 60947-1 VDE 0660 T200, DIN EN 60947-5-1, IEC 60947-5-1
------------------	--

EU Conformity	CE
----------------------	-----------

Approvals	
	CSA A300 (same polarity)
	UL A300 (same polarity)

Notes

The degree of protection (IP code) specified applies solely to a property closed cover and the use of an equivalent cable gland with adequate cable.