

Technical Data

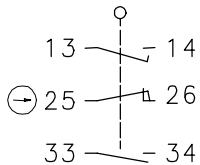
Rope pull switch

Series SIN

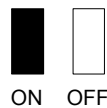
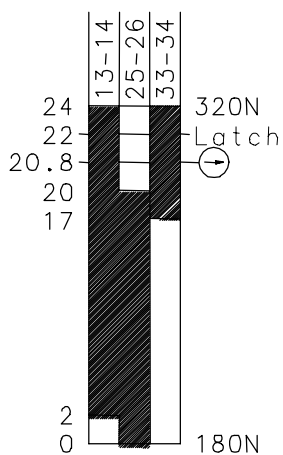
Description **SIN-UV1Z/E1 P-RAST**

Article number **6113531080**

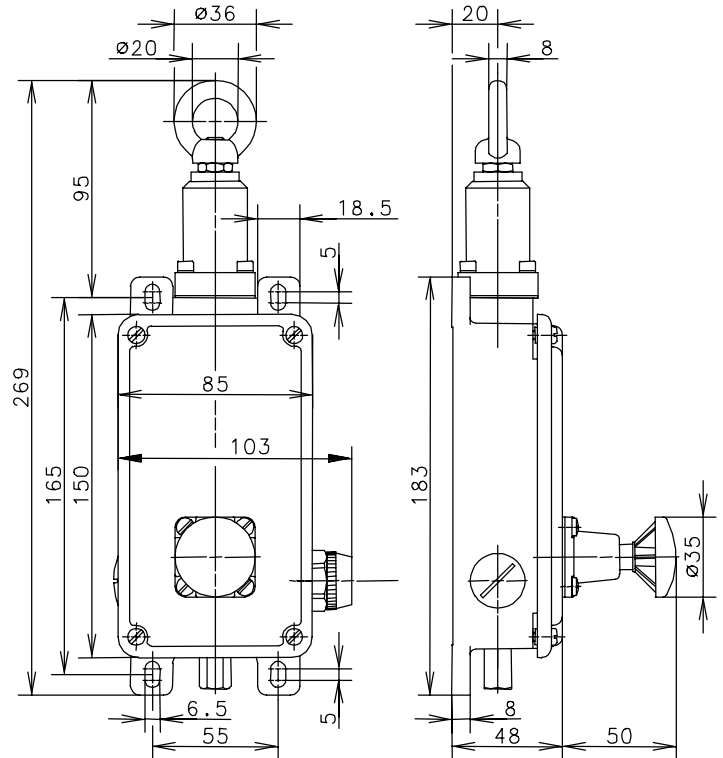
Operating symbol



Operating diagram



Tolerance
tensile force: $\pm 15\%$



Electrical data

| | | |
|---------------------------------|-----------|---|
| Rated insulation voltage | U_i | 400 VAC |
| Conv. thermal current | I_{the} | 10A |
| Rated operational voltage | U_e | 240V |
| Utilization category | | AC-15, U_e/I_e 240V/3A |
| Positive opening NC contact | \ominus | IEC/EN 60947-5-1 |
| Short-circuit protective device | | Fuse 10A gL/gG IEC/EN 60947-5-1, Annex K |
| Protection class | | I |
| Indication lamp, red | | LED; 24 – 230V AC/DC |

This document will not become the contractual basis; the details included herein do not constitute any descriptions of expected conditions, so that warranties/claims for defects on account of possible variations of the actual qualities from the qualities described herein are explicitly excluded. All rights reserved. Specifications subject to change without notice!

Date of issue: 27.07.2004 / Page 1 of 2
Document: 6113531080_en / : 1 / Last update: 2387-04

Technical Data

Rope pull switch

| | |
|--------------------------|--|
| Mechanical data | |
| Enclosure | Aluminium sand cast |
| Cover | Aluminium sand cast |
| Actuator | Pull ring |
| Ambient air temperature | -30°C ... +80°C |
| Contact type | 1 NC, 2 NO (Zb) |
| Reset facility | Push button |
| Mechanical life | 1 x 10 ⁶ operating cycles |
| Switching frequency | ≤ 20 / min. |
| Assembly | 4 x M6 |
| Connection | 6 screw terminals (M4) |
| Conductor cross-sections | Solid: 0.5 ... 1.5mm ² Litz wire with ferrules: 0.5 ... 1.5mm ² |
| Cable entrance | 2 x M20x1.5 |
| Weight | ≈ 1,3 kg |
| Installation position | Operator definable |
| Protection type | IP65 acc. to IEC/EN 60529 |
| Standards | |
| | VDE 0660 T100, DIN EN 60947-1, IEC 60947-1 VDE 0660 T200, DIN EN 60947-5-1, IEC 60947-5-1 |
| EU Conformity | |
| | CE |
| Approvals | |
| | CSA A300 (same polarity) |

Notes

The degree of protection (IP code) specified applies solely to a property closed cover and the use of an equivalent cable gland with adequate cable.