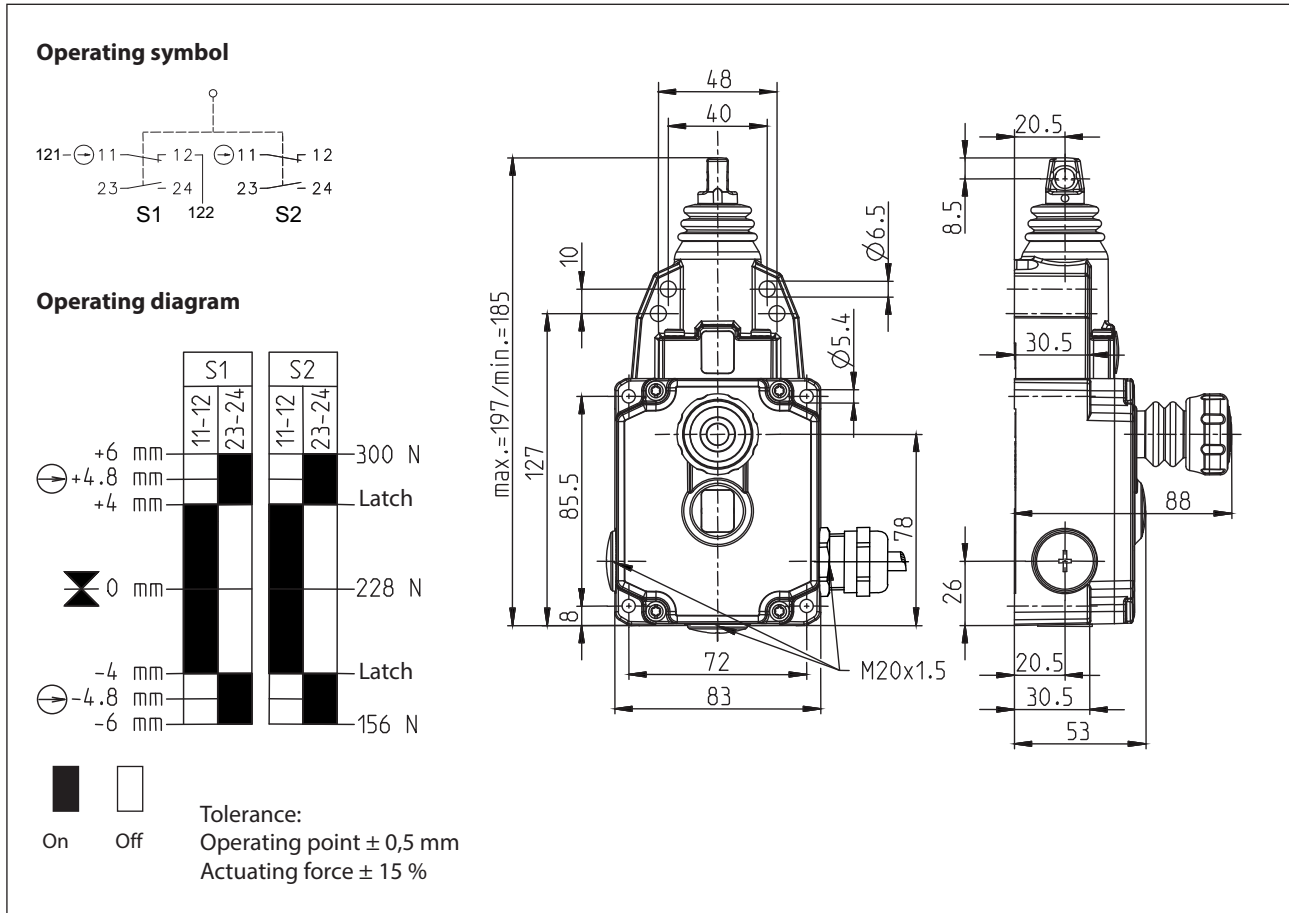


Rope pull switch

Series SRM

Description **SRM-U1Z/U1Z-LU-300**

Article number **6112921372**



Elektrische Daten	
Rated insulation voltage	U_i 250 V AC
Conv. thermal current	I_{the} 10 A
Rated operational voltage	U_e 50 V AC / 120 V DC
Rated current	AC-15, U_e / I_e 50 V / 6 A DC-13, U_e / I_e 120 V / 0,55 A
Direct opening action	\ominus acc. to IEC/EN 60947-5-1, Annex K
Short-circuit protective device	Fuse 6 A gG
Protection class	III, (safety extra-low voltage)

Mechanical data	
Enclosure	Al-die cast
Cover	Al-die cast
Actuator	Pull ring (Zn-die cast)
Emergency Stop	PA, glass fibre reinforced
Ambient air temperature	-30 °C ... +80 °C (no freezing over/ no condensation)
Contact type	2 NC, 2 NO (Zb) (2 built-in switches S1+S2)
Latching device	acc. to IEC 60947-5-5, DIN EN 60947-5-5, ISO 13850 (DIN EN 418)
Reset facility	pull of the emergency stop acc. to IEC/EN 60947-5-5
Mechanical life	acc. to IEC 60947-5-5 max. 1 x 10 ⁵ operating cycles
Rope length	≤ 75 / min. (depends on the max. temperature variation)
Rope Ø	D = Ø 2 - 5 mm
Switching frequency	≤ 20/min.
Assembly	4 x M6 or 4 x M5
Connection	8 screw terminals (M3,5)
Conductor cross-sections	Solid: 0,5 ... 1,5 mm ² Litz wire with ferrules: 0,5 ... 1,5 mm ²
Cable entrance	2 x M20 x 1,5 1 x cable gland M20 x 1,5, cable Lapp Ölflex 110, 2 x 0,75 mm ² x 0,75 m long
Weight	≈ 1,1 kg
Installation position	Operator definable
Protection type	IP67 acc. to IEC/EN 60529

ID for safety engineering	
B10d	2 x 10 ⁵ switching cycles

Standards	
	VDE 0660 T100, DIN EN 60947-1, IEC 60947-1
	VDE 0660 T200, DIN EN 60947-5-1, IEC 60947-5-1
	VDE 0660 T210, DIN EN 60947-5-5, IEC 60947-5-5
	ISO 13850
	DIN EN ISO 13849-1

EU Conformity	
	acc. to directive 2006/95/EC

Notes	
<p>The degree of protection (IP code) specified applies solely to a property closed cover. Cable according to customer specifications without GE / YE.</p> <p>Maintenance-free installation. Rope with accessories is available on demand.</p>	