

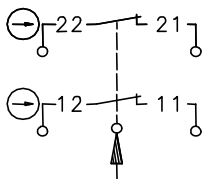
Safety switch

Series SGS

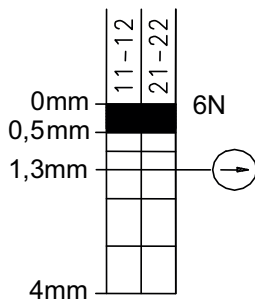
Description **SGS-SA2ZW F6**

Article number **6110853023**

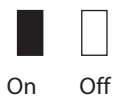
Operating symbol



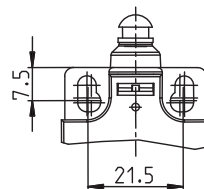
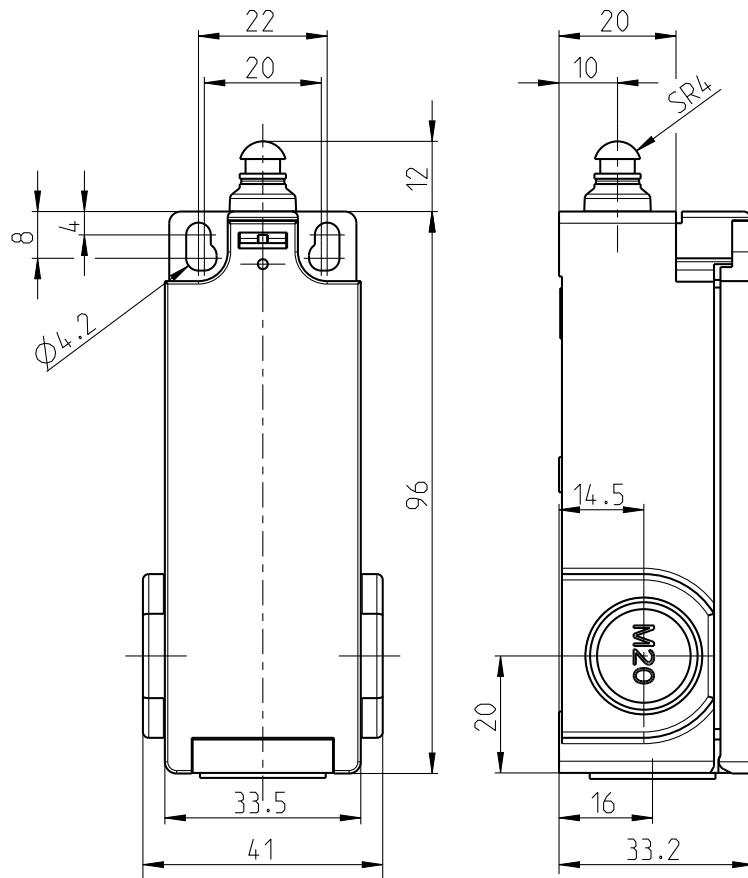
Operating diagram



Return only by pulling back the plunger.



Tolerances:
 Operating point $\pm 0,3$ mm;
 Operating force ± 2 N



Fixed positioning for safety applications
Mounting screw M5 according to DIN EN ISO 4762

Elektrische Daten		
Electrical data	II, totally insulated	
Protection class		
Contact elements	U_i	250 V AC
Rated insulation voltage	I_{the}	10 A
Conv. thermal current	AC-15, U_e / I_e 240 V / 3 A	
Utilization category	DC-13, U_e / I_e 250 V / 0,27 A	
Min. Voltage	24 V	
Min. Current	5 mA	
Direct opening action	⊖	according to IEC/EN 60947-5-1, Annex K
Short-circuit protective device	Fuse 4 A gG	

Mechanical data		
Enclosure	Thermoplastic GV self-extinguishing	
Cover	Thermoplastic GV self-extinguishing	
Actuating	Plunger (thermoplastic)	
Velocity for actuating	V_{max}	0,5m/s
Ambient air temperature	-25 °C ... +50 °C	
Contact type	2 NC (Zb)	
Switching principle	Magnetic snap action, bistable	
Mechanical life	5 x 10 ⁴ operating cycles	
Assembly	2 x M4 / 2 x M5 for safety applications	
Connection - contact elements	4 screw terminals (M3,5)	
Conductor cross-sections	Solid: 0,5 ... 1,5 mm ² ; Litz wire with ferrules: 0,5 ... 1,5 mm ²	
Cable entrance	3x M20x1,5 breakout, left, right and upside /	
Installation position	Operator definable	
Contact opening	4 x >2 mm	
Protection type	IP65 acc. to IEC/EN 60529	

ID for safety engineering	
B10d	1 x 10 ⁵ cycles

Actuation	
Actuation only in plunger direction	

Standards	
VDE 0660 T100, DIN EN 60947-1, IEC 60947-1	
VDE 0660 T200, DIN EN 60947-5-1, IEC 60947-5-1	
DIN EN ISO 13849-1; DIN EN 81-1, 81-2; 81-20	

EU Conformity	
acc. to directive 2014/35/EU (Low-Voltage-Directive)	

Approvals	
cCSA _{US}	

Notes

The degree of protection specified (IP code) applies only to a properly closed cover and the use of an equivalent cable gland with adequate cable. The switch may not be used as a mechanical stop.

Switching device without solenoid