

# Safety switch

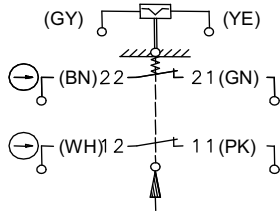
## Series SGS

Description **SGS-SA2Z W F6 230V 1M**

Article number **6110853002**

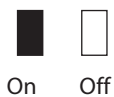
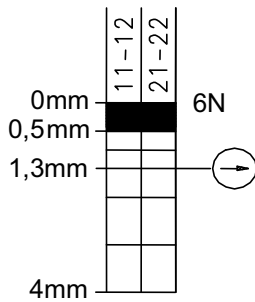
### Operating symbol

Termination electromagnet with contact position

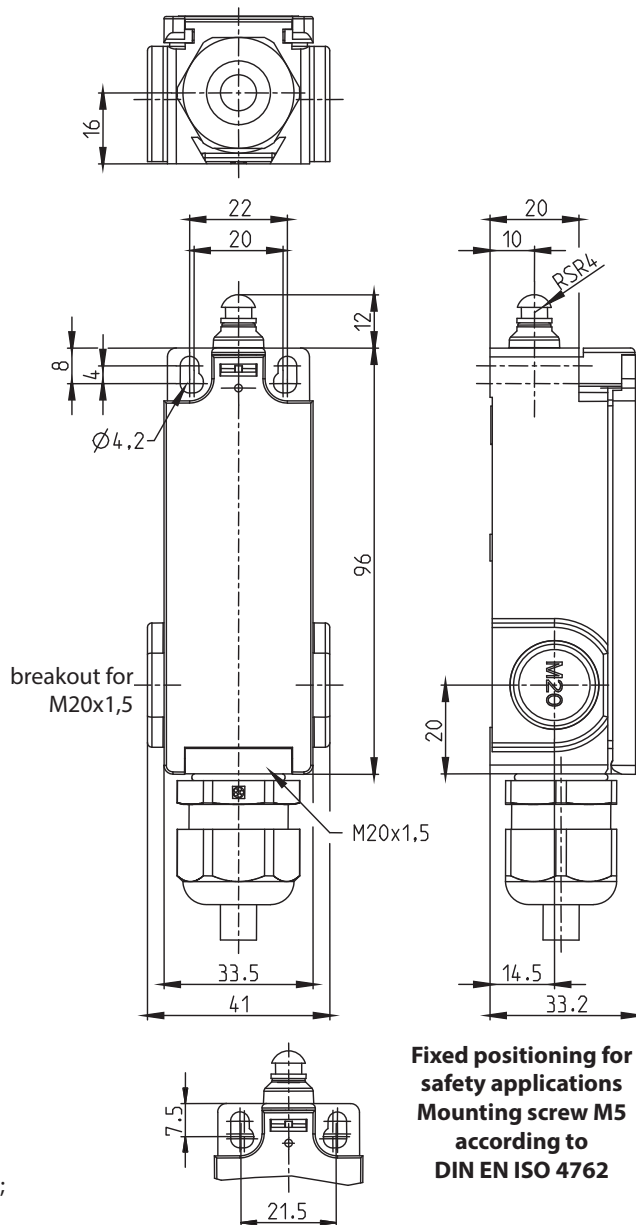


### Operating diagram

(Return by E-magnet)



Tolerances:  
Operating point  $\pm 0,3$  mm;  
Operating force  $\pm 2$  N



Elektrische Daten		
Electrical data	II, totally insulated	
<b>Protection class</b>		
Contact elements	$U_i$	250 V AC
Rated insulation voltage	$I_{the}$	10 A
Conv. thermal current	AC-15, $U_e / I_e$ 240 V / 3 A	
Utilization category	DC-13, $U_e / I_e$ 250 V / 0,27 A	
Min. Voltage	24 V	
Min. Current	5 mA	
Direct opening action	⊖	according to IEC/EN 60947-5-1, Annex K
Short-circuit protective device	Fuse 4 A gG	
<b>Electro magnets</b>		
with recovery diode		
Temperature class	B (130 °C)	
Rated operational voltage	$U_e$	230 V AC
Operational voltage range	$U_B$	-15 % ≤ $U_e$ ≤ +10 %
Rated operational current	$I_e$	0,23 A -15 %
On-Time	ED	3 %
Min. On-Time	$T_i$	0,2 s
Max. On-Time	$T_e$	0,5 s
Min. Off-Time	$T_p$	17 s

Mechanical data		
Enclosure	Thermoplastic GV self-extinguishing	
Cover	Thermoplastic GV self-extinguishing	
Actuating	Plunger (thermoplastic)	
Velocity for actuating	$V_{max}$	0,5m/s
Ambient air temperature	-25 °C ... +50 °C <sup>1)</sup> -5° C ... +50° C <sup>2)</sup>	
Contact type	2 NC (Zb)	
Switching principle	Magnetic snap action, bistable	
Mechanical life	5 x 10 <sup>4</sup> operating cycles	
Assembly	2 x M4 / 2 x M5 for safety applications	
Connection - contact elements	Connecting cable 6 x 0,75 mm <sup>2</sup> x 1 m Bending radius = 60 mm min. <sup>1)</sup>	
Connection - Electro magnets	Connecting cable 6 x 0,75 mm <sup>2</sup> x 1 m Bending radius = 60 mm min. <sup>1)</sup>	
Cable entrance	1x cable gland M20x1,5	
Installation position	Operator definable	
Contact opening	4 x >2 mm	
Protection type	IP65 acc. to IEC/EN 60529	

ID for safety engineering	
B10d	1 x 10 <sup>5</sup> cycles

Actuation	
Actuation only in plunger direction	

Standards	
	VDE 0660 T100, DIN EN 60947-1, IEC 60947-1
	VDE 0660 T200, DIN EN 60947-5-1, IEC 60947-5-1
	DIN EN ISO 13849-1
	DIN EN 81-1; 81-2; 81-20

EU Conformity	
	acc. to directive 2014/35/EU

Approvals	
	TÜV SÜD
	cCSAus A300 (same polarity)
	CCC

Notes	
<p>The specified protection classification (IP code) applies only when the cover is closed.</p> <p>The switch may not be used as a mechanical stop.</p> <p><sup>1)</sup> connecting cable permanently mounted  <sup>2)</sup> connecting cable moved</p>	