

**Bernstein**Bernstein AG
Postfach 1164
D-32437 Porta Westfalica**Technical data sheet**

C2-SU1Z St o.M.

610.8354.014

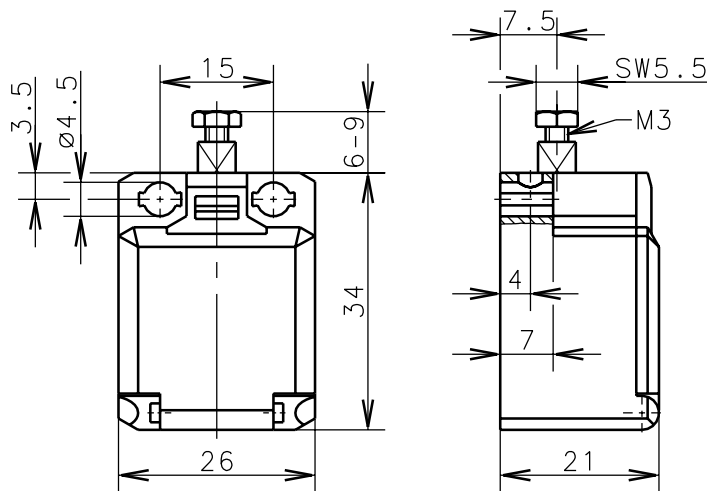
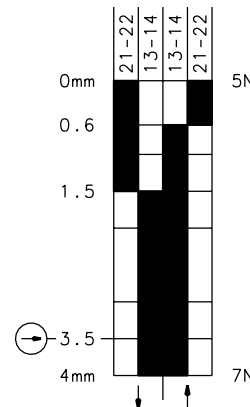
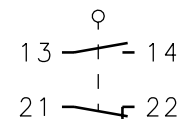
Positive opening
operation according
to DIN EN 60947-5-1
IEC 60947-5-1

ABB-No.: 1VEB 537301-005

Switching
diagramSwitching
symbolTolerance: operating point $\pm 0.25\text{mm}$; actuating force $\pm 10\%$ **Mechanical features**

Enclosure: PBT, glass fibre reinforced
 Cover: PC, black
 Actuator: hexagon bolt adjustable, thread M3

Ambient air temperature: -30°C up to $+80^\circ\text{C}$
 Contact type: 1 NC-contact, 1 NO-contact (Zb)

Mechanical life: 3×10^6 switch operations
 Switch frequency: max. 100/min

Mounting: 2 x M4
 Connection type: 4 screw connections (M3.5)
 Conductor cross-section: single core $0.5\text{-}1.5\text{mm}^2$ / litz wire with connector sleeve $0.5\text{-}1.5\text{mm}^2$
 Cable entry size: rectangle $8.5 \times 3.5\text{mm}$
 Weight: approx. 0,02 kg

Electrical features

Rated insulation voltage: $U_i = 250\text{ V AC}$
 Conventional thermal current: $I_{the} = 10\text{ A}$
 Max. inrush current: according to IEC 60947-5-1
 Utilization categorie: AC 15, A300 240V/3A, 120V/6A / DC 13, Q300 250V/0.27A, 125V/0.55A
 Standards: according to EN 60947-1, EN 60947-5-1
 Protection class: IP 30 according to EN 60529; DIN VDE 0470 T1
 CSA/UL: 10A 300V AC, A300
 Short-circuit protection: Fuse 6A gL/gG, IEC/EN 60947-5-1, appendix K

Approach possibilities

The push bolt actuator is mainly intended to be actuated along it's axis.
 Side actuation will considerably reduce switch life.

Remarks

The moving parts should be oiled periodically.