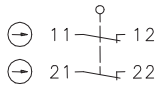


## Plastic bodied limit switch Series C74

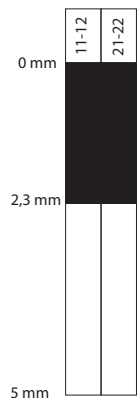
Description **C74-A2Z VS**



Article number **6106801150**

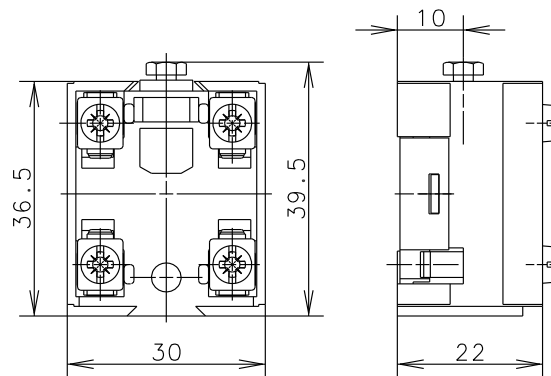
### Operating symbol




### Operating diagram



 On   
  Off   
 Tolerance:  
 Operating point  $\pm 0,25$  mm;  
 Operating force  $\pm 10$  %



### Electrical Data

Rated insulation voltage	$U_i$	400 V AC
Conv. thermal current	$I_{the}$	10 A
Rated operational voltage	$U_e$	240 V
Utilization category		AC-15, $U_e/I_e$ 240 V / 3 A
Direct opening action		acc. IEC/EN 60947-5-1, annex K
Short-circuit protective device		Fuse 10 A gG

<b>Mechanical data</b>	
Enclosure	Thermoplastic, glass fibre reinforced (UL 94-V0)
Actuator	Hexagon head screw M3
Ambient air temperature	-30 °C ... +80 °C
Contact type	2 N.C. (Zb)
Mechanical life	10 x 10 <sup>6</sup> operating cycles
Switching frequency	≤ 100 / min.
Assembly	2 x M3
Connection	4 screw connections (M3,5)
Conductor cross-sections	Solid: 0,5 ... 1,5 mm <sup>2</sup> or Litz wire with ferrules: 0,5 ... 1,5 mm <sup>2</sup>
Weight	≈ 0,06 kg
Installation position	operator definable
Protection type	IP00 nach EN 60529

<b>Actuation</b>
The push bolt actuator is mainly intended to be actuated along its axis.

<b>Standards</b>
VDE 0660 T100, DIN EN 60947-1, IEC 60947-1
VDE 0660 T200, DIN EN 60947-5-1, IEC 60947-5-1

<b>EU Conformity</b>
acc. to directive 2014/35/EU (Low-Voltage-Directive)

<b>Notes</b>
Because of the open construction of the device there is no special protection against ingessing of water and touching parts under voltage. The device has an increased switching force.