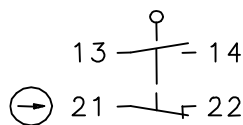


Plastic bodied limit switch Series C74

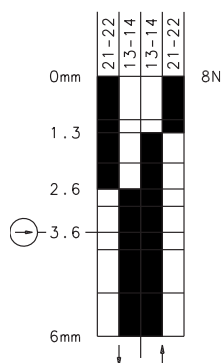
Description **C74-SU1Z HVG**

Article number **6106151029**

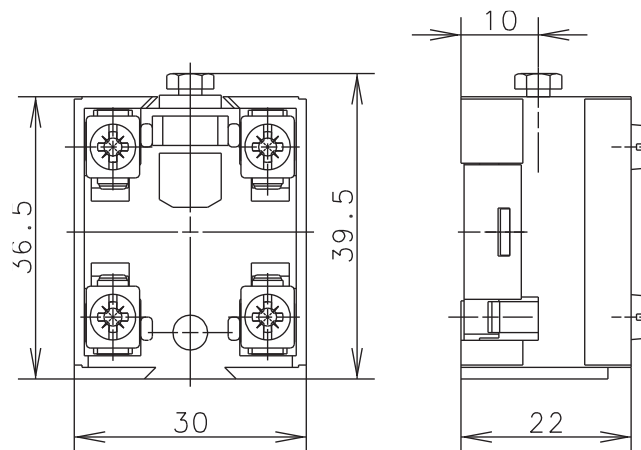
Operating symbol



Operating diagram



On
 Off
 Tolerance:
 Operating point $\pm 0,25$ mm;
 Actuating force: ± 10 %



Electrical Data

Rated insulation voltage	U_i	400 V AC
Conv. thermal current	I_{the}	10 A
Rated operational voltage	U_e	240 V AC
Utilization category		AC-15, U_e / I_e 240 V/ 3 A
Direct opening action	\ominus	acc. IEC/EN 60947-5-1, annex K
Short-circuit protective device		Fuse 2 A gG

Mechanical data	
Enclosure	Thermoplastic, glass fibre reinforced
Actuator	Hexagon head screw M3
Ambient air temperature	-30 °C ... +80 °C
Contact type	1 NC, 1 NO (Zb)
Contacts	fine gold-plated (Our guideline values are valid for the gold-plated switch contacts.)
Mechanical life	10 x 10 ⁶ switching cycles
Switching frequency	≤ 100/min
Connection	4 screw connections (M3,5)
Conductor cross-sections	Solid: 0.5 ... 1.5 mm ² Litz wire with ferrules: 0.5 ... 1.5 mm ²
Weight	≈ 0,03 kg
Installation position	Operator definable
Protection type	IP00 acc. to EN 60529; DIN VDE 0470 T1

Actuation
Actuating the device is possible only in direction of the plunger.

ID for safety engineering
B10d 20 x 10 ⁶ cycles

Standards
VDE 0660 T100, DIN EN 60947-1, IEC 60947-1
VDE 0660 T200, DIN EN 60947-5-1, IEC 60947-5-1
DIN EN ISO 13849-1

EU Conformity
acc. to directive 2014/35/EU

Notes
Because of the open construction of the device there is no special protection against ingressing of water and touching parts under voltage.