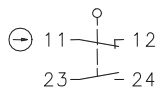


## Plastic bodied limit switch Series C74

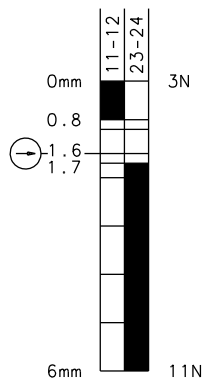
Description **C74-EB-U1Z HVG (SW)**



Article number **6106101074**

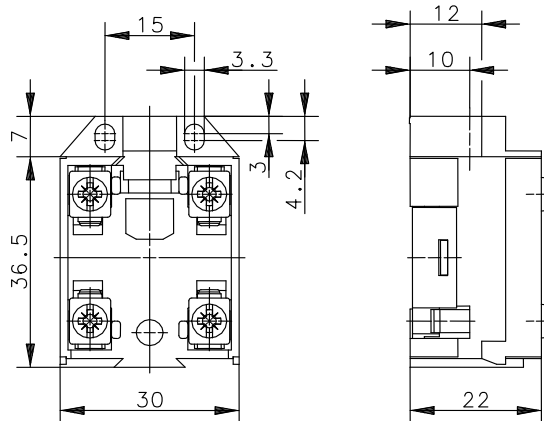
### Operating symbol



### Operating diagram



 On   
  Off   
 Tolerance:  
 Operating point  $\pm 0,25$  mm;  
 Operating force  $\pm 10$  %



### Electrical Data

Rated insulation voltage	$U_i$	400 V AC
Conv. thermal current	$I_{the}$	10 A
Rated operational voltage	$U_e$	240 V
Utilization category		AC-15, $U_e/I_e$ 240 V / 3 A DC-13, $U_e/I_e$ 250 V / 0,27 A
Direct opening action	$\ominus$	acc. IEC/EN 60947-5-1, annex K
Short-circuit protective device		Fuse 10 A gG

Mechanical data	
Enclosure	Thermoplastic, glass fibre reinforced (UL 94-V0)
Actuator	Plunger inside located, Ø8
Ambient air temperature	-30 °C ... +80 °C
Contact type	1 N.C., 1 N.O. (Zb)
Contacts	fine gold-plated (Our guideline values are valid for the gold-plated switch contacts.)
Mechanical life	10 x 10 <sup>6</sup> operating cycles
Switching frequency	≤ 100 / min.
Assembly	2 x M3
Connection	4 screw connections (M3,5)
Conductor cross-sections	Solid: 0,5 ... 1,5 mm <sup>2</sup> or Litz wire with ferrules: 0,5 ... 1,5 mm <sup>2</sup>
Weight	≈ 0,03 kg
Installation position	operator definable
Protection type	IP00 nach EN 60529

Actuation
The push bolt actuator is mainly intended to be actuated along its axis.

Standards
VDE 0660 T100, DIN EN 60947-1, IEC 60947-1
VDE 0660 T200, DIN EN 60947-5-1, IEC 60947-5-1

EU Conformity
acc. to directive 2014/35/EU

Notes
Because of the open construction of the device there is no special protection against ingessing of water and touching parts under voltage.