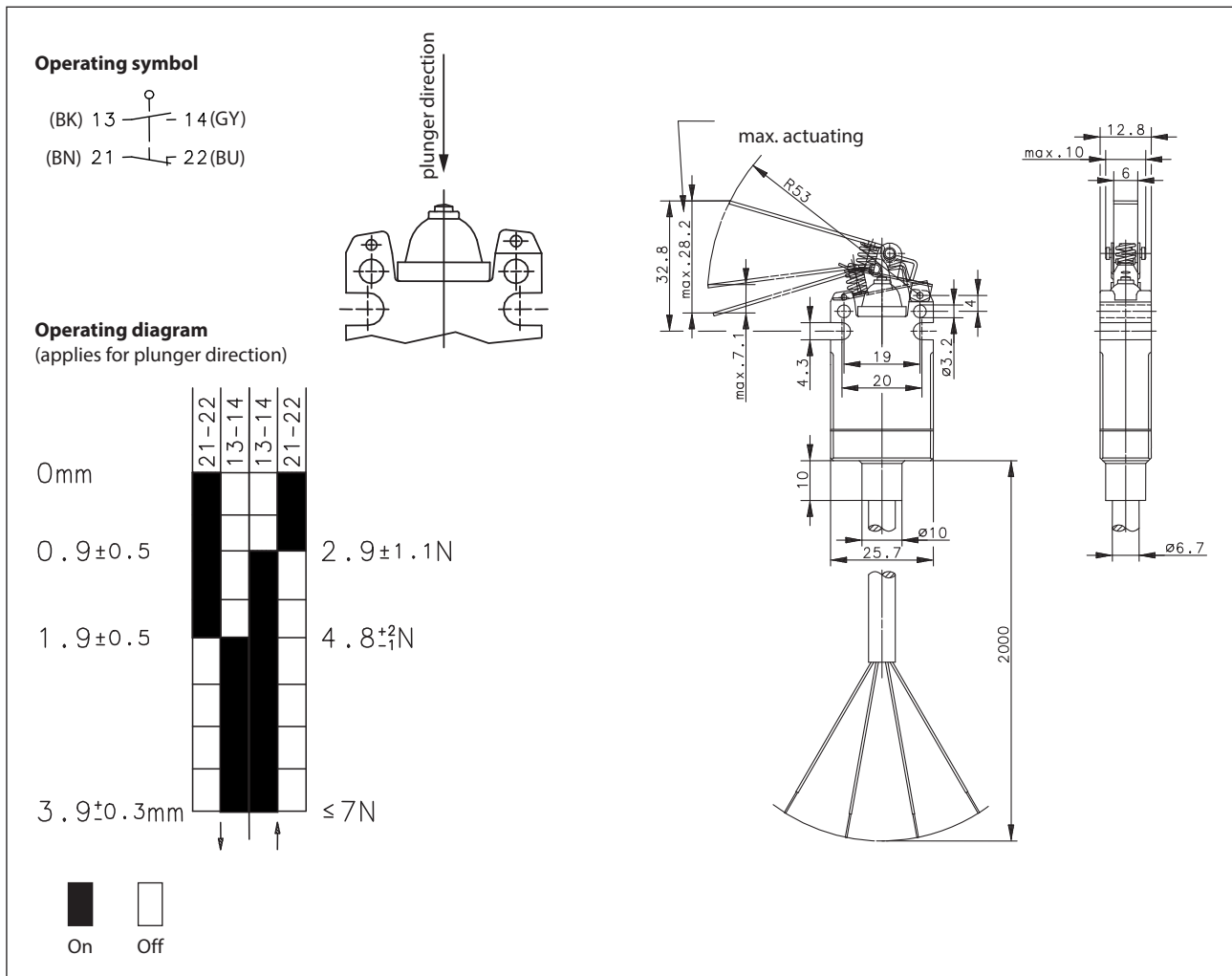


Plastic bodied limit switch - Ex II 2 G
 Series EEx Ex II 2 D

Description **EEX-SU1 UH -2M-**

Article number **6090146012**





Electrical Data		
Rated insulation voltage	U_i	250 V AC
Conv. thermal current	I_{the}	5 A
Rated operational voltage	U_e	230 V
Utilization category		AC-15, U_e/I_e 240 V / 3 A; DC-13, U_e/I_e 250 V / 0,27 A
Short-circuit protective device		Fuse 6 A gG and 10 A gG
Protection class		II, fully insulated

Mechanical data	
Enclosure	PEI (UL94-5VA)
Actuator	Lever with roller
Ambient air temperature	-20 °C ... +60 °C
Maximum surface temperature	80 °C / T6
Contact type	1 NC, 1 NO (Zb)
Mechanical life	2 x 10 ⁶ switching cycles (maintenance-free)
Mechanical switching frequency	≤ 120 / min.
Switching frequency under max. load	≤ 20 / min. (AC), ≤ 15 / min. (DC)
Permissible actuating speed	≥ 10 mm / min; ≤ 1 m/s
Assembly	2 x M3
Connection	Control cable (with wire end ferrules)
Conductor cross-sections	4 x 0,75mm ²
Cable entrance	potted
Weight	Approx. 0,15 kg
Installation position	Any
Protection type of the installed switch block	IP66/IP67 acc. to IEC/EN 60529

Actuation
The actuating device is preferably started from 1 side.

Standards
VDE 0660 T100, DIN EN 60947-1, IEC 60947-1
VDE 0660 T200, DIN EN 60947-5-1, IEC 60947-5-1
VDE 0170-1, DIN EN 60079-0, IEC 60079-0
VDE 0170-5, DIN EN 60079-1, IEC 60079-1
VDE 0170-15, DIN EN 60079-31, IEC 60079-31

Explosion Protection
 II 2 G Ex db IIC T6 Gb
 II 2 D Ex tb IIIC T80°C Db

Test Certificate
TÜV 03 ATEX 2021X

EU Conformity
acc. to explosion directive 2014/34/EU

Approvals	
UL / CSA	c _{CSA} _{US} A300/Q300 CCC

Notes

The cable must be securely laid and protected against mechanical damage.

According to DIN EN 60079-0 the switch must be protected against impact when it is used in explosive areas.

If the connection is also realized in a hazardous location use a box for this which complies with an acknowledged type of protection according to DIN EN 60079-0.

The safety level of the gap is higher than in the standard DIN EN 60079-1 required security level.

The switch is to establish protected from UV light.

The switch may not be used as a mechanical stop.

The indicated data refer to an operation in direction of the plunger.

Other cable lengths on request.