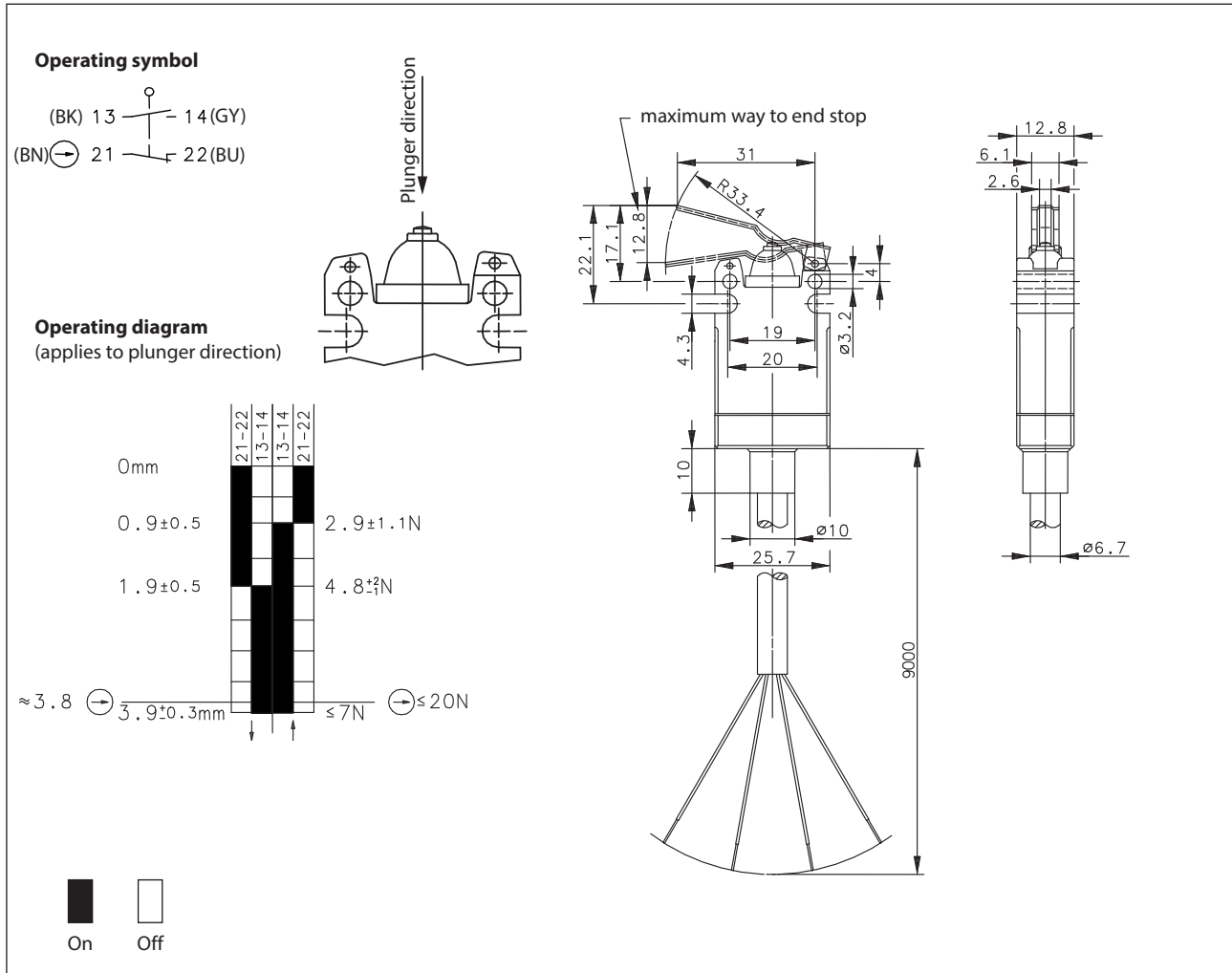


Plastic bodied limit switch - Ex II 2 G
Series EEx Ex II 2 D

Description **EEX-SU1Z FH -9M-**

Article number **6090145010**





| Electrical Data | | |
|---------------------------------|-----------|---|
| Rated insulation voltage | U_i | 250 V AC |
| Conv. thermal current | I_{the} | 5 A |
| Rated operational voltage | U_e | 230 V |
| Utilization category | | AC-15, U_e/I_e 240 V / 3 A; DC-13, U_e/I_e 250 V / 0,27 A |
| Positive opening NC contact | | acc. to IEC/EN 60947-5-1, Annex K |
| Short-circuit protective device | | Fuse 4 A gG (with safety function) Fuse 6 A gG and 10 A gG |
| Protection class | | II, fully insulated |

| Mechanical data | |
|---|---|
| Enclosure | PEI (UL94-5VA) |
| Actuator | Lever |
| Ambient air temperature | -20 °C ... +60 °C |
| Maximum surface temperature | 80 °C / T6 |
| Contact type | 1 NC, 1 NO (Zb) |
| Mechanical life | 2 x 10 ⁶ switching cycles (maintenance-free) |
| Mechanical switching frequency | ≤ 120 / min. |
| Switching frequency under max. load | ≤ 20 / min. (AC), ≤ 15 / min. (DC) |
| Permissible actuating speed | ≥ 10 mm / min; ≤ 1 m/s |
| Assembly | 2 x M3 |
| Connection | Control cable (with wire end ferrules) |
| Conductor cross-sections | 4 x 0,75 mm ² |
| Cable entrance | potted |
| Weight | Approx. 0,59 kg |
| Installation position | Any |
| Protection type of the installed switch block | IP66/IP67 acc. to IEC/EN 60529 |

| ID for safety engineering | |
|---------------------------|----------------------------|
| B10d | 4 x 10 ⁶ cycles |

| Actuation | |
|---|--|
| The actuating device is preferably started from 1 side. | |

| Standards | |
|-----------|--|
| | VDE 0660 T100, DIN EN 60947-1, IEC 60947-1 |
| | VDE 0660 T200, DIN EN 60947-5-1, IEC 60947-5-1 |
| | VDE 0170-1, DIN EN 60079-0, IEC 60079-0 |
| | VDE 0170-5, DIN EN 60079-1, IEC 60079-1 |
| | VDE 0170-15, DIN EN 60079-31, IEC 60079-31 |
| | DIN EN ISO 13849-1 |

| Explosion Protection | |
|----------------------|--|
| |  II 2 G Ex db IIC T6 Gb |
| |  II 2 D Ex tb IIIC T80°C Db |

| Test Certificate | |
|------------------|-------------------|
| | TÜV 03 ATEX 2021X |

| BG-Type Examination Certificate | |
|---------------------------------|----------|
| | GS-ET-15 |

| EU Conformity | |
|---------------|--|
| | acc. to explosion directive 2014/34/EU |
| | acc. to machinery directive 2006/42/EC |

Approvals

| | |
|----------|------------------------------|
| UL / CSA | cCSA _{US} A300/Q300 |
| | CCC |

Positive opening operation of the switch

To ensure the positive opening operation the maximum travel of the switch (approx. 3,9mm) should be established and the travel distance reduced by approx. 0,1mm (in order not to destroy the switch).
For safety applications the lever must not be activated with more than 20 mm distance from the lever bearing.

Notes

The cable must be securely laid and protected against mechanical damage.
According to DIN EN 60079-0 the switch must be protected against impact when it is used in explosive areas.
If the connection is also realized in a hazardous location use a box for this which complies with an acknowledged type of protection according to DIN EN 60079-0.
The safety level of the gap is higher than in the standard DIN EN 60079-1 required security level.
The switch is to establish protected from UV light.
The switch may not be used as a mechanical stop.
The indicated data refer to an operation in direction of the plunger.

Other cable lengths on request.