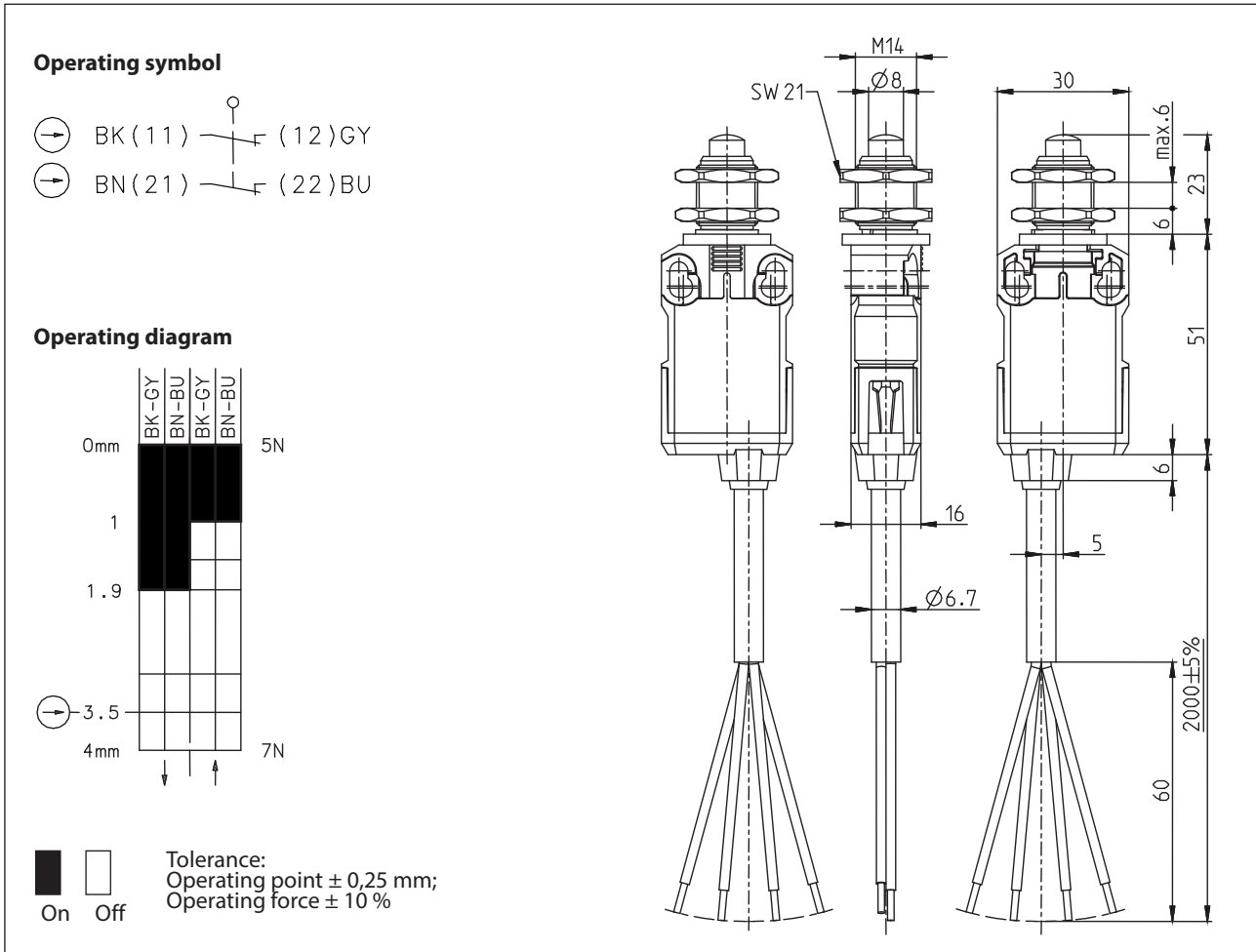


Plastic bodied limit switch Series IF

Description **IF-SA2Z IWF**

Article number **6089852043**



Electrical Data		
Rated insulation voltage	U_i	250 V AC
Conv. thermal current	I_{the}	10 A
Rated operational voltage	U_e	240 V
Utilization category		AC-15, U_e/I_e 240 V / 3 A
Direct opening action		acc. to IEC/EN 60947-5-1, annex K
Short-circuit protective device		Fuse 6 A gG
Protection class		II, totally insulated

Mechanical data	
Enclosure	PA6 (glass fibre reinforced)
Cover	PA6 (glass fibre reinforced)
Actuator	Plunger (steel)
Ambient air temperature	-25 °C ... +70 °C (cable in fixed position)
Contact type	Snap action, 2 N.C. (Zb)
Mechanical life	3 x 10 ⁶ switching cycles
Switching frequency	≤ 30 / min.
Assembly	Front mounting with 2 x hexagonal nut M14 x 1 SW21
Connection	Cable 4 x 0,75 mm ²
Weight	≈ 0,20 kg
Installation position	operator definable
Protection type	IP67 acc. to IEC/EN 60529; DIN VDE 0470 T1

Actuation
The push bolt actuator is mainly intended to be actuated along its axis. Side actuation will considerably reduce switch life.

ID for safety engineering
B10d 6 x 10 ⁶ cycles

Standards
VDE 0660 T100, DIN EN 60947-1, IEC 60947-1
VDE 0660 T200, DIN EN 60947-5-1, IEC 60947-5-1
DIN EN ISO 13849-1

EU Conformity
acc. to directive 2006/42/EC

Approvals
cCSA _{US} A300, Q300

Notes
The indicated protection class (IP-code) is only valid when the actuator is correctly mounted.