

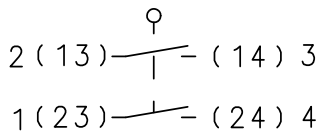
Plastic bodied limit switch Series IF

Description **IF-E2 RIWF AMP4**

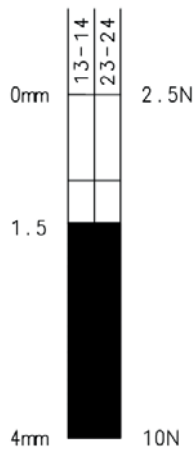
Article number **6089817045**

Operating symbol

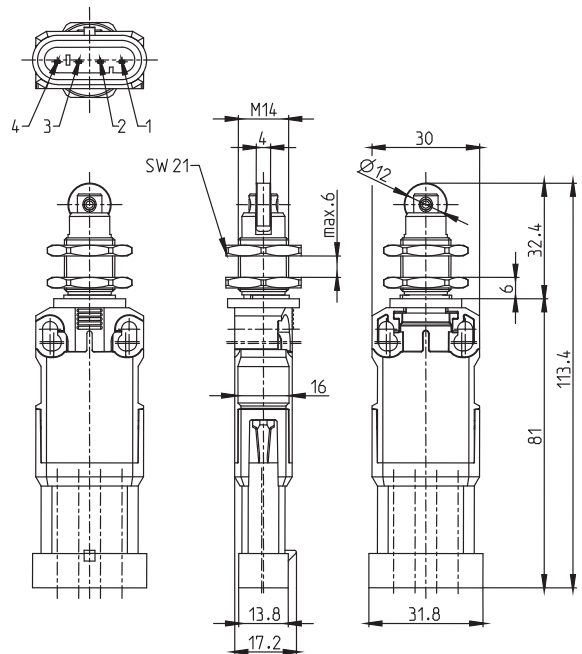
1-4 ≙ AMP - contact assignment



Operating diagram



On
 Off
 Tolerance:
Operating point ± 0,25 mm;
Operating force ± 10 %



Electrical Data

Rated insulation voltage	U_i	250 V AC
Conv. thermal current	I_{the}	10 A
Rated operational voltage	U_e	240 V
Utilization category		AC-15, U_e/I_e 240 V / 3 A
Direct opening action	\ominus	acc. to IEC/EN 60947-5-1, annex K
Short-circuit protective device		Fuse 6 A gG
Protection class		II, totally insulated

