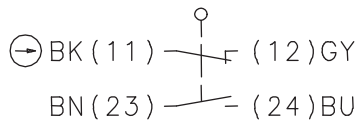


Plastic bodied limit switch Series IF

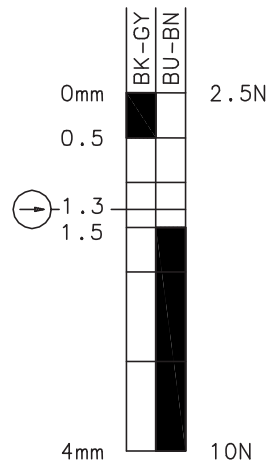
Description **IF-U1Z RIW**

Article number **6089117002**

Operating symbol

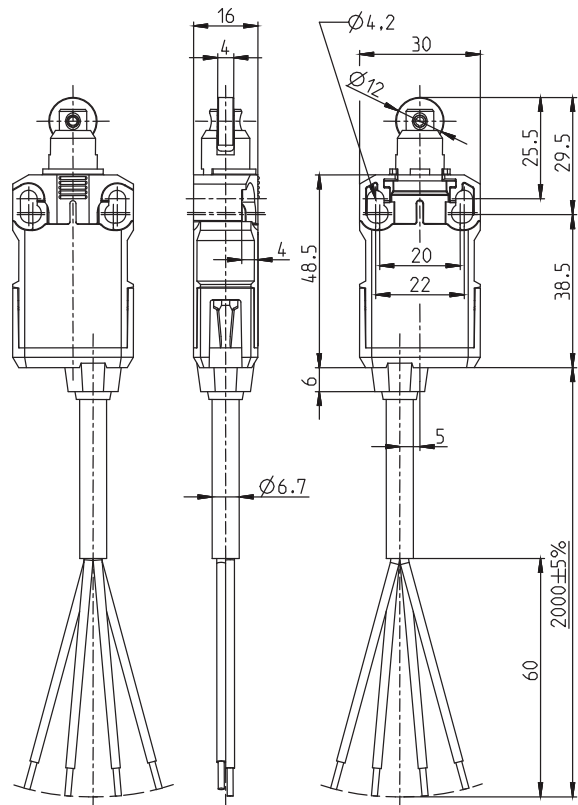
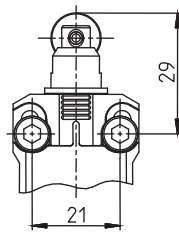


Operating diagram



Tolerance:
 Operating point $\pm 0,25$ mm;
 Operating force ± 10 %
 On Off

Fixed positioning for
 safety applications
 Mounting screw M5
 according to DIN 912 or
 DIN EN ISO 4762



Electrical Data

Rated insulation voltage	U_i	250 V AC
Conv. thermal current	I_{the}	10 A
Rated operational voltage	U_e	240 V
Utilization category		AC-15, U_e/I_e 240 V / 3 A
Direct opening action	\ominus	acc. to IEC/EN 60947-5-1, annex K
Short-circuit protective device		Fuse 6 A gG
Protection class		II, totally insulated

