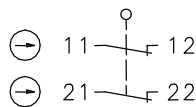


# Plastic bodied limit switch Series T12

Description **T12-SA2Z RIW**

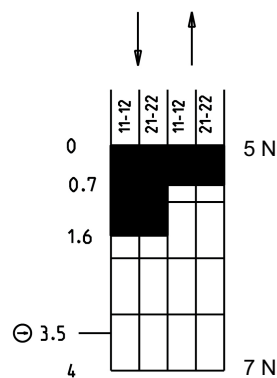
Article number **6088867010**

### Operating symbol

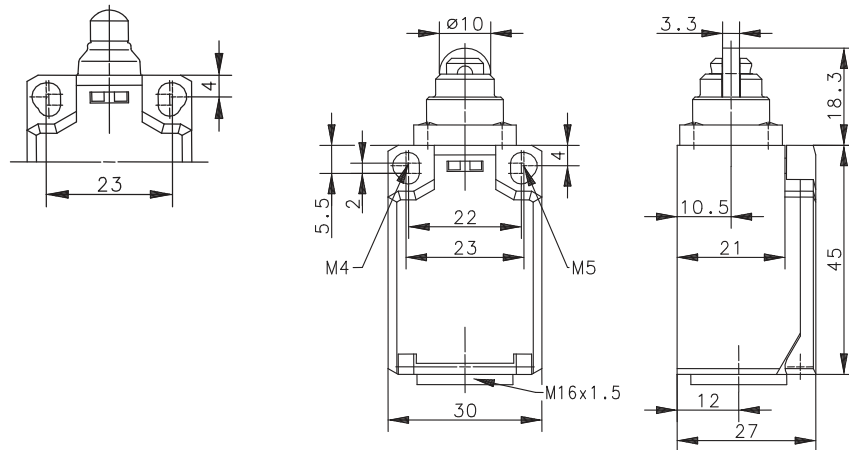


Fixed positioning with  
e.g. fixing screw M5  
according to the standard  
DIN EN ISO 4762.

### Operating diagram



On  
 Off  
 Tolerance:  
 Operating point  $\pm 0,25$  mm;  
 Actuating force  $\pm 10$  %



### Electrical Data

Rated insulation voltage	$U_i$	250 V AC
Conv. thermal current	$I_{the}$	10 A AC; 2,5 A DC
Rated operational voltage	$U_e$	240 V AC; 250 V DC
Utilization category		AC-15, $U_e/I_e$ 240 V / 3 A ; DC-13, $U_e/I_e$ 250 V / 0,27 A
Direct opening action	$\ominus$	acc. to IEC/EN 60947-5-1, Annex K
Short-circuit protective device		Fuse 6 A gG
Protection class		II, totally insulated

Mechanical data	
Enclosure	Thermoplastic, glass fibre reinforced (UL 94-V0)
Cover	Thermoplastic, glass fibre reinforced (UL 94-V0)
Actuator	Roller (thermoplastic)
Ambient air temperature	-30 °C ... +80 °C
Contact type	2 NC (Zb)
Mechanical life	3 x 10 <sup>6</sup> operating cycles
Switching frequency	≤ 100 / min.
Assembly	2 x M4 or 2 x M5 fixed position for safety applications
Connection	4 screw connections (M3,5)
Conductor cross-sections	Solid: 0,5 ... 1,5 mm <sup>2</sup> or Litz wire with ferrules: 0,5 ... 1,5 mm <sup>2</sup>
Cable entrance	1 x M16 x 1,5
Weight	≈ 0,04 kg
Installation position	operator definable
Protection type	IP65 acc. to EN 60529; DIN VDE 0470 T1

ID for safety engineering	
B10d	6 x 10 <sup>6</sup> cycles

Actuation	
The actuating device is preferably started from 2 sides.	

Standards	
	VDE 0660 T100, DIN EN 60947-1, IEC 60947-1
	VDE 0660 T200, DIN EN 60947-5-1, IEC 60947-5-1
	DIN EN ISO 13849-1

EU Conformity	
	acc. to directive 2014/35/EU

Approvals	
	cCSA <sub>US</sub> , A300, Q300 (same polarity)
	UL
	CCC

Notes	
The degree of protection (IP code) specified applies solely to a property closed cover and the use of an equivalent cable gland with adequate cable.	