

Technical Data

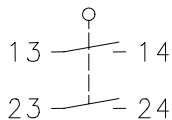
Plastic bodied limit switch

Series TI2

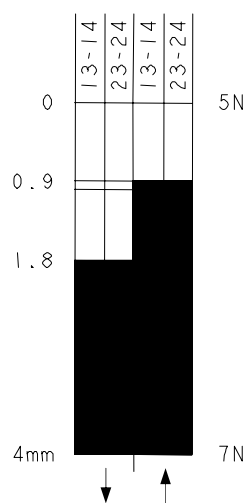
Description **TI2-SE2 W**


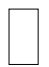
Article number **608853006**

Operating symbol

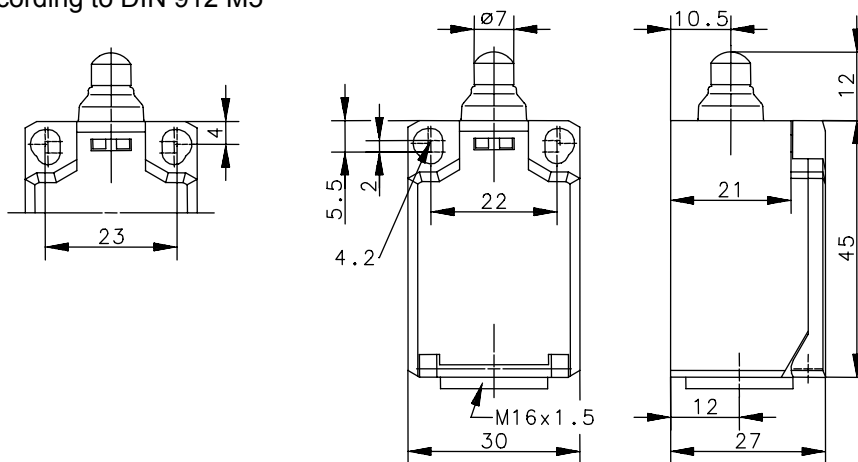


Operating diagram



  Tolerance:
 On Off Operating point $\pm 0,25$ mm;
 Actuating force $\pm 10\%$

for Mounting screw
according to DIN 912 M5



Electrical data

Rated insulation voltage	U_i	250 V AC
Conv. thermal current	I_{the}	10 A AC / 2,5 A DC
Rated operational voltage	U_e	240 V AC; 250 V DC
Utilization category		AC-15, U_e/I_e 240 V / 3 A; DC-13, U_e/I_e 250 V / 0,27 A
Direct opening action	\ominus	acc. to IEC/EN 60947-5-1, Annex K
Short-circuit protective device		Fuse 6 A gL/gG
Protection class		II, totally insulated

This document will not become the contractual basis; the details included herein do not constitute any descriptions of expected conditions, so that warranties/claims for defects on account of possible variations of the actual qualities from the qualities described herein are explicitly excluded. All rights reserved. Specifications subject to change without notice!

Date of issue: 21.11.2008 / Page 1 of 2
Document : 608853006_en.doc / Last update : 1 / 2778-08

Technical Data

Plastic bodied limit switch

Mechanical data

Enclosure	PBT, glass fibre reinforced
Cover	PA6.6, black
Actuator	Push bolt (thermoplastic)
Ambient air temperature	-30 °C ... +80 °C
Contact type	2 NO (Zb)
Mechanical life	3 x 10 ⁶ switching cycles
Switching frequency	≤ 100/min
Assembly	2 x M4
Connection	4 screw connections (M3,5)
Conductor cross-sections	Solid: 0,5 ... 1,5 mm ² Litz wire with ferrules: 0,5 ... 1,5 mm ²
Cable entrance	1 x M16x1,5
Weight	≈ 0,04 kg
Installation position	Operator definable
Protection type	IP65 acc. to EN 60529; DIN VDE 0470 T1

Actuation

The push bolt actuator is mainly intended to be actuated along its axis.
Side actuation will considerably reduce switch life.

Standards

VDE 0660 T100, DIN EN 60947-1, IEC 60947-1
VDE 0660 T200, DIN EN 60947-5-1, IEC 60947-5-1

EU Conformity

CE

Approvals

^cCSA_{US} A300, Q300 (same polarity)
UL A300, Q300

Notes

The degree of protection (IP code) specified applies solely to a property closed cover and the use of an equivalent cable gland with adequate cable.