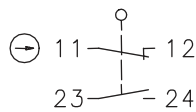


# Plastic bodied limit switch Series TI2

Description **TI2-U1Z RIW 90GR**

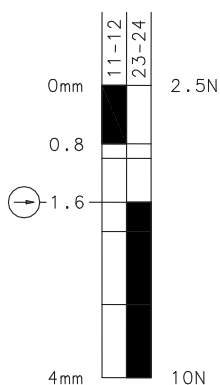
Article number **6088117013**

### Operating symbol

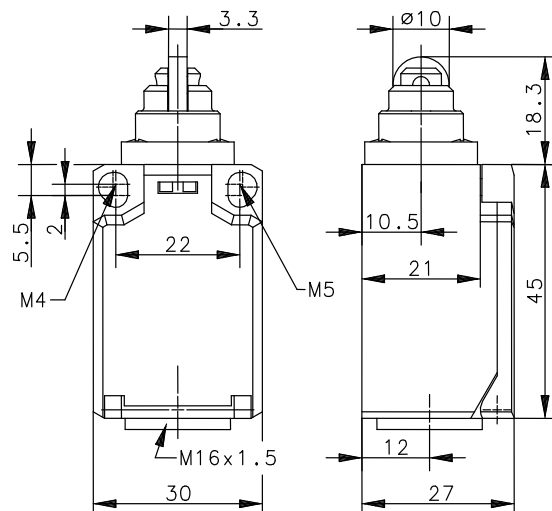
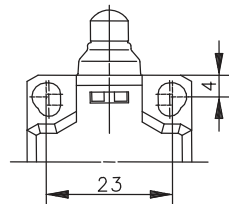


Fixed positioning with  
e.g. fixing screw M5  
according to the standard  
DIN EN ISO 4762.

### Operating diagram



On   
 Off   
 Tolerance:  
 Operating point  $\pm 0,25$  mm;  
 Actuating force  $\pm 10$  %



### Electrical Data

|                                 |           |                                   |
|---------------------------------|-----------|-----------------------------------|
| Rated insulation voltage        | $U_i$     | 250 V AC                          |
| Conv. thermal current           | $I_{the}$ | 10 A                              |
| Rated operational voltage       | $U_e$     | 240 V                             |
| Utilization category            |           | AC-15, $U_e/I_e$ 240 V / 3 A      |
| Direct opening action           |           | acc. to IEC/EN 60947-5-1, Annex K |
| Short-circuit protective device |           | Fuse 6 A gG                       |
| Protection class                |           | II, totally insulated             |

| <b>Mechanical data</b>   |   |
|--------------------------|---|
| Enclosure                | Thermoplastic, glass fibre reinforced (UL 94-V0)  |
| Cover                    | Thermoplastic, glass fibre reinforced (UL 94-V0)  |
| Actuator                 | Roller (thermoplastic)  |
| Ambient air temperature  | -30 °C ... +80 °C   |
| Contact type             | 1 NC, 1 NO (Zb)   |
| Mechanical life          | 3 x 10 <sup>6</sup> operating cycles  |
| Switching frequency      | ≤ 100 / min.  |
| Assembly                 | 2 x M4 or 2 x M5 fixed position for safety applications                                       |
| Connection               | 4 screw connections (M3,5)  |
| Conductor cross-sections | Solid: 0,5 ... 1,5 mm <sup>2</sup> or<br>Litz wire with ferrules: 0,5 ... 1,5 mm <sup>2</sup> |
| Cable entrance           | 1 x M16 x 1,5   |
| Weight                   | ≈ 0,05 kg   |
| Installation position    | operator definable  |
| Protection type          | IP65 acc. to EN 60529; DIN VDE 0470 T1  |

| <b>ID for safety engineering</b> |                            |
|----------------------------------|----------------------------|
| B10d                             | 6 x 10 <sup>6</sup> cycles |

| <b>Actuation</b>   |
|--|
| The actuating device is preferably started from 2 sides. |

| <b>Standards</b>                               |
|--|
| VDE 0660 T100, DIN EN 60947-1, IEC 60947-1     |
| VDE 0660 T200, DIN EN 60947-5-1, IEC 60947-5-1 |
| DIN EN ISO 13849-1                             |

| <b>EU Conformity</b>         |
|------------------------------|
| acc. to directive 2014/35/EU |

| <b>Approvals</b>                                 |
|--|
| c_CSA <sub>US</sub> , A300, Q300 (same polarity) |
| CCC  |

| <b>Notes</b>   |
|--|
| The degree of protection (IP code) specified applies solely to a property closed cover and the use of an equivalent cable gland with adequate cable. |